

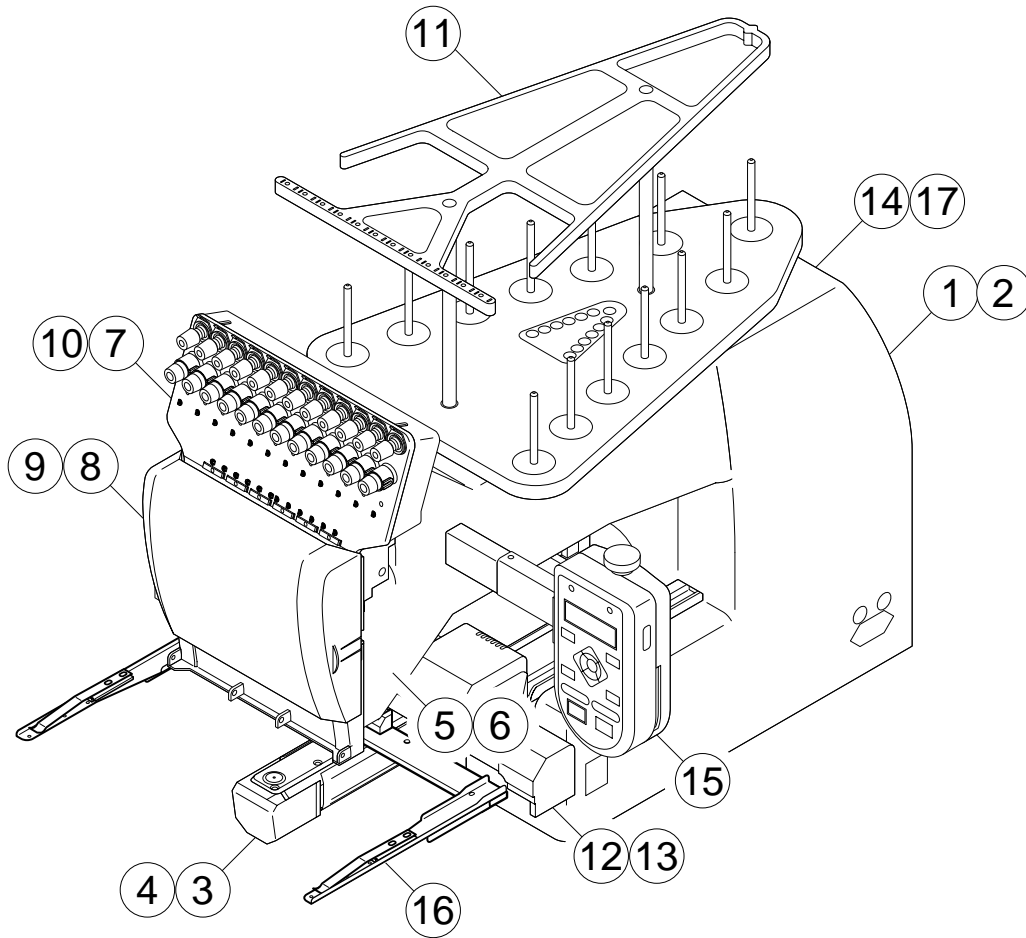
HCS-1201-30

ELECTRONIC EMBROIDERY MACHINE

PARTS LIST



INDEX



COVERS	1a	X CARRIAGE	12a
TRANSMISSION UNIT	2a	Y CARRIAGE 1	13a
BED	3a	Y CARRIAGE 2	13b
THREAD CUTTING DRIVER	4a	ELECTRIC PARTS	14a
HEAD	5a	CONTROL PANEL	15a
PRESSURE FOOT	6a	FRAME BASE	16a
NEEDLE BAR CHANGE UNIT	7a	BOBBIN WINDER	17a
MOVING HEAD 1	8a	ELECTRICAL CONNECTION DIAGRAM	18a
MOVING HEAD 2	8b	CAP FRAME (DRIVE FRAME) OPTION	19a
THREAD CATCHER	9a	CAP FRAME (HOLD FRAME) OPTION	19b
THREAD TENSION UNIT	10a	CAP FRAME (CAP STRETCHER) OPTION	19c
THREAD STAND	11a		

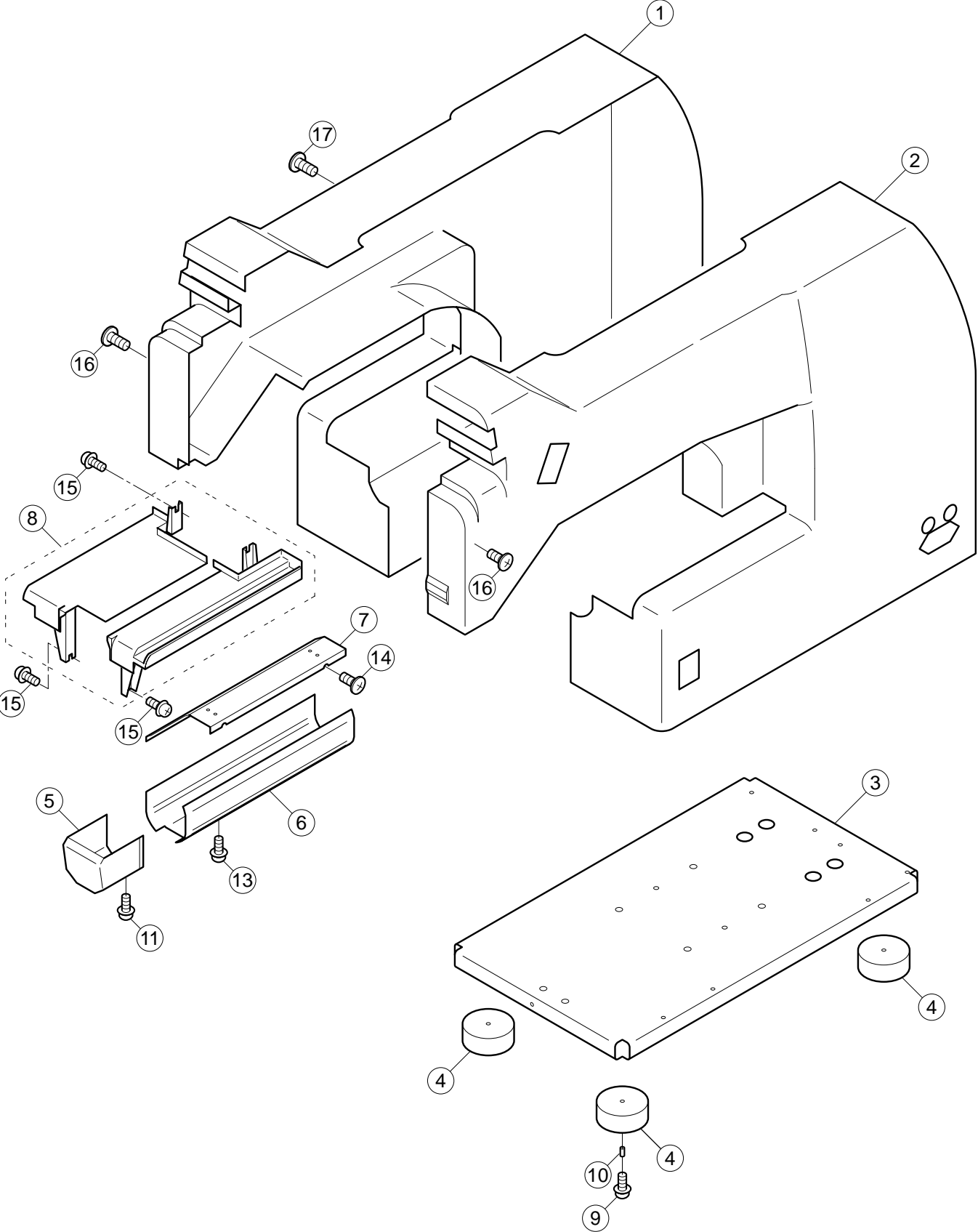
* Specifications are subject to change without notice.

* When you place parts orders, please state machine model (example : HCS-1201-30), machine number and if machine is with option (example : cap frame) or not.

EXPLANATION OF LIST

Ass'y	El't	Parts No.	Parts Names
	9	HMF17870	Adjusting plate
<u>11*</u>	10	M0416186	Thread check spring
	11	HMF17840	Thread tension ass'y
	12	HMF17860	Thread tension lid
	31	<u>HCG08170</u>	Roller pin guide
	<u>32</u>	<u>->10b</u>	Jump solenoid ass'y (by model)
①	②	③	④

- ① This element number here is an assembly part number.
It indicates that the part shown here is a component of an assembly part.
- ② It is element number.
- ③ It is parts number.
- ④ This parts is entered to other page of that mark "->" shows.

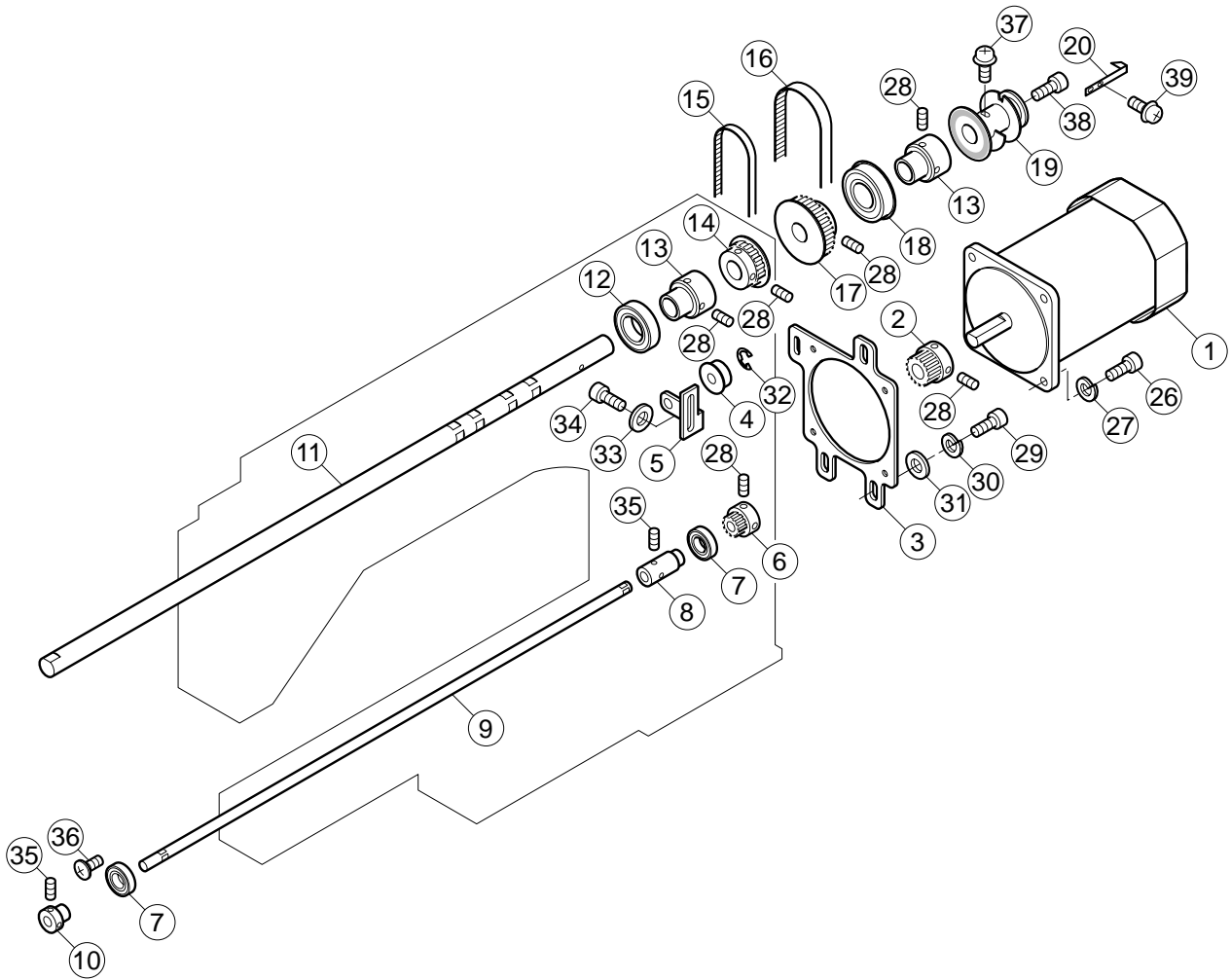


COVERS

CSG601

1a-1

Ass'y	El't	Parts No.	Parts Names	Note
	1	HCB01599	Cover (left)	
	2	HCB01587	Cover (right)	
	3	HCB00123	Base	
	4	HCB00111	Foot	
	5	HCB901790	Rotary hook cover ass'y	
	6	HCB00143	Bed cover (lower)	
	7	HCB00161	Bed cover (upper) ass'y	
	8	HCB01575	Cover (front)	
	9	SPDB04016	Pan head screw (cross recessed, M4x16)	
	10	MPA00220	Spacer (4x9)	
	11	SPDD03006	Pan head screw (cross recessed, M3x6)	
	13	SPDB04006	Pan head screw (cross recessed, M4x6)	
	14	SBAB03005	Binding head screw (M3x5)	
	15	SPDB04008	Pan head screw (cross recessed, M4x8)	
	16	SBAB03006	Binding head screw (M3x6)	
	17	SBAB04008	Binding head screw (M4x8)	

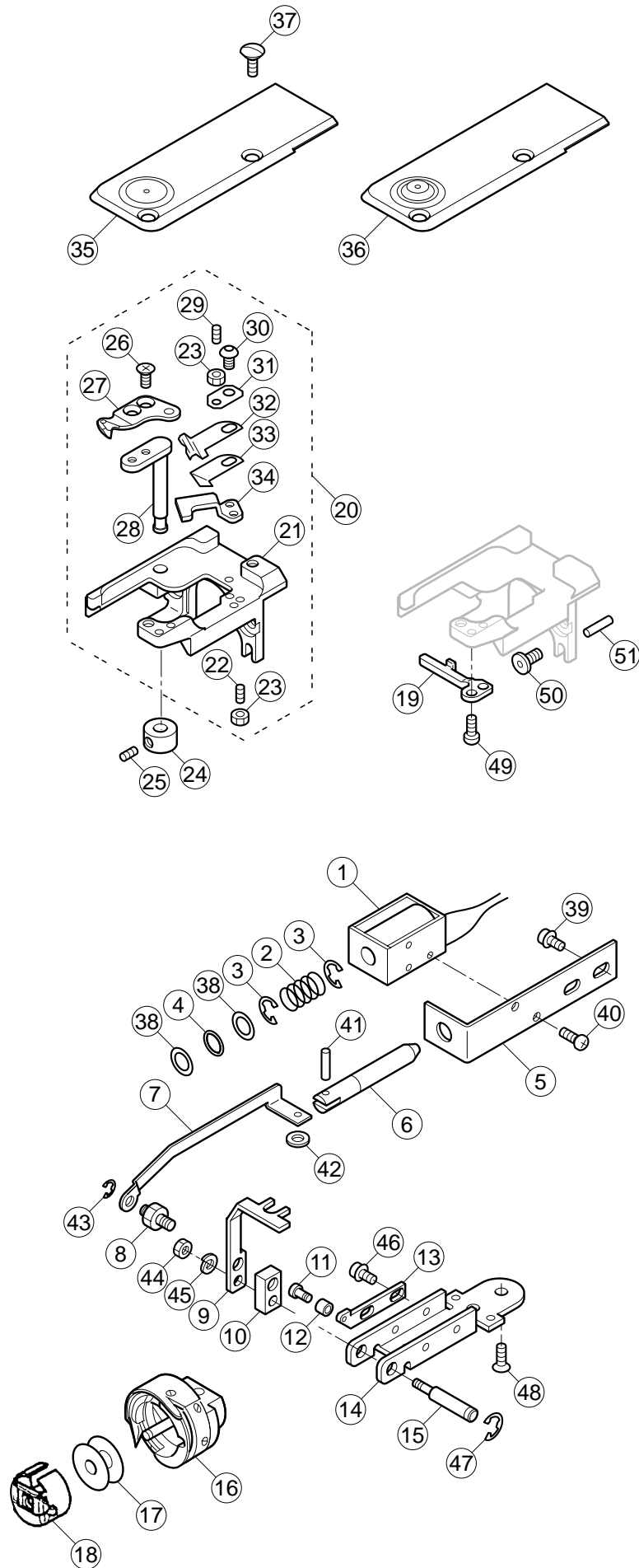


TRANSMISSION UNIT

SCG6010

2a-1

Ass'y	El't	Parts No.	Parts Names	Note
	1	HCB79310	Main motor ass'y	
	2	HCB02311	Motor pulley	
	3	HCB02211	Motor bracket	
	4	HCB02091	Tension pulley	
	5	HCB02103	Tension shaft ass'y	
	6	HCB02051	lower pulley	
	7	MPB00790	Bearing (6901ZZ)	
	8	HCB02070	Rotary hook shaft collar A	
	9	HCB04111	Rotary hook shaft	
	10	HCB02083	Rotary hook shaft collar B	
	11	HCB02011	Upper shaft	
	12	MPB00920	Bearing (6904ZZ)	
	13	HCB02062	Upper shaft collar	
	14	HCB02041	Upper pulley	
	15	MPV00680	Timing belt	
	16	MPV00670	Timing belt	
	17	HCB02301	Drive pulley	
	18	MPB00860	Bearing (6004ZZNR)	
	19	HCB02340	Detecting disc ass'y	
	20	HCB02130	Pointer	
	26	SCAA05012	Hexagon socket head cap screw (M5x12)	
	27	WSAA05000	Spring lock washer (M5)	
	28	SSAA05006	Hexagon socket set screw (M5x6)	
	29	SCAA06015	Hexagon socket head cap screw (M6x15)	
	30	WSAA06000	Spring lock washer (M6)	
	31	WPAA06000	Plain washer (M6)	
	32	MPR00470	E-ring (E-6)	
	33	-	Plain washer (4x13)	
	34	SCAA04010	Hexagon socket head cap screw (M4x10)	
	35	SSAA04005	Hexagon socket set screw (M4x5)	
	36	SBAB03004	Binding head screw (M3x4)	
	37	SPDB04010	Pan head screw (cross recessed, M4x10)	
	38	SCAD04008	Hexagon socket head cap screw (M4x8)	
	39	SPDD03006	Pan head screw (cross recessed, M3x6)	

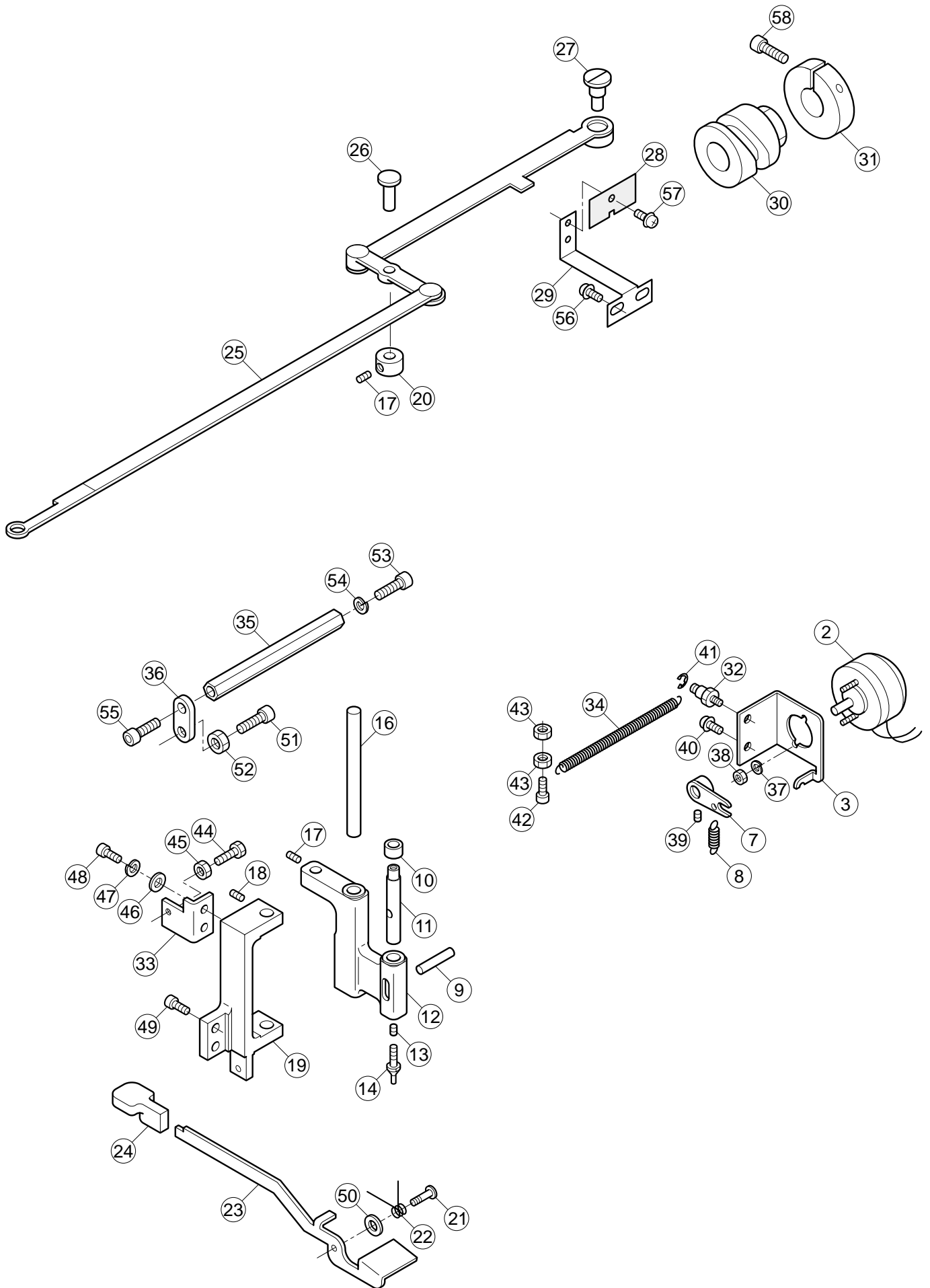


Ass'y	El't	Parts No.	Parts Names	Note
	1	HCB79060	Keeper solenoid	
	2	HCB04022	Solenoid spring	
	3	MPR00080	E-ring (E-5)	
	4	MPR00520	O-ring (S-8)	
	5	HCB04012	Solenoid base	
	6	HCB04031	Keeper plunger	
	7	HCB04041	Keeper rod	
	8	HCB04121	Fulcrum pin	
	9	HCM04413	Keeper	
	10	HCB04141	Fulcrum block	
	11	HCM04490	Stopper pin	
	12	HCM04510	Stopper	
	13	HCM04480	Stopper bracket	
	14	HCB04063	Shaft holder	
	15	HCB04052	Keeper shaft	
	16	HSA04010	Rotary hook	
	17	MPZ00550	Bobbin	
	18	HSA04020	Bobbin case	
	18	HSA04030	Bobbin case (for throwaway bobbin)	
	19	HCB04131	Rotary hook retainer	
	20	HCB05005	Thread cutting device ass'y	
20*	21	HCB05016	Thread cutting device base	
20*	22	SSAA03010	Hexagon socket set screw (M3x10)	
20*	23	NHCA03000	Hexagon nut (M3)	
	24	HCA04060	Drive shaft retainer B	
	25	SSAA04004	Hexagon socket set screw (M4x4)	
20*	26	HMF04260	Flat head screw	
20*	27	HCB05023	Knife ass'y	
20*	28	HCB05053	Knife drive shaft ass'y	
20*	29	SSAA03003	Hexagon socket set screw (M3x3)	
20*	30	SAAA03006	Hexagon socket button head screw (M3x6)	
20*	31	HCB05090	Holder retainer	
20*	32	HCB05070	Bobbin thread holder	
20*	33	HCB05080	Holder support	
20*	34	HCB05062	Fixed knife	
	35	HCB04074	Needle plate	
	36	HCB04085	Needle plate ass'y (for cap frame)	
	37	MPZ00040	Screw for needle plate	
	38	MPZ02560	Slider (7.2x11x0.5)	
	39	SCBA04008	Hexagon socket head cap screw with flange (M4x8)	
	40	SPAC2F004	Pan head screw (cross recessed, M2.6x4)	
	41	MPZ02470	Spring pin (2.5x10)	
	42	WPAC2F000	Plain washer (M2.6)	
	43	MPR00290	E-ring (E-3)	
	44	NHAD03000	Hexagon nut (M3)	
	45	WSAD03000	Spring lock washer (M3)	
	46	SCBA03006	Hexagon socket head cap screw with flange (M3x6)	
	47	MPR00420	E-ring (E-4)	
	48	SGAB04008	Flat head screw (cross recessed head, M4x8)	
	49	SAAA03006	Hexagon socket button head screw (M3x6)	
	50	SCFA04008	Hexagon socket low head screw (M4x8)	
	51	MPZ02480	Spring pin (3x12)	

THREAD CUTTING DRIVER

CSE301

4a-1

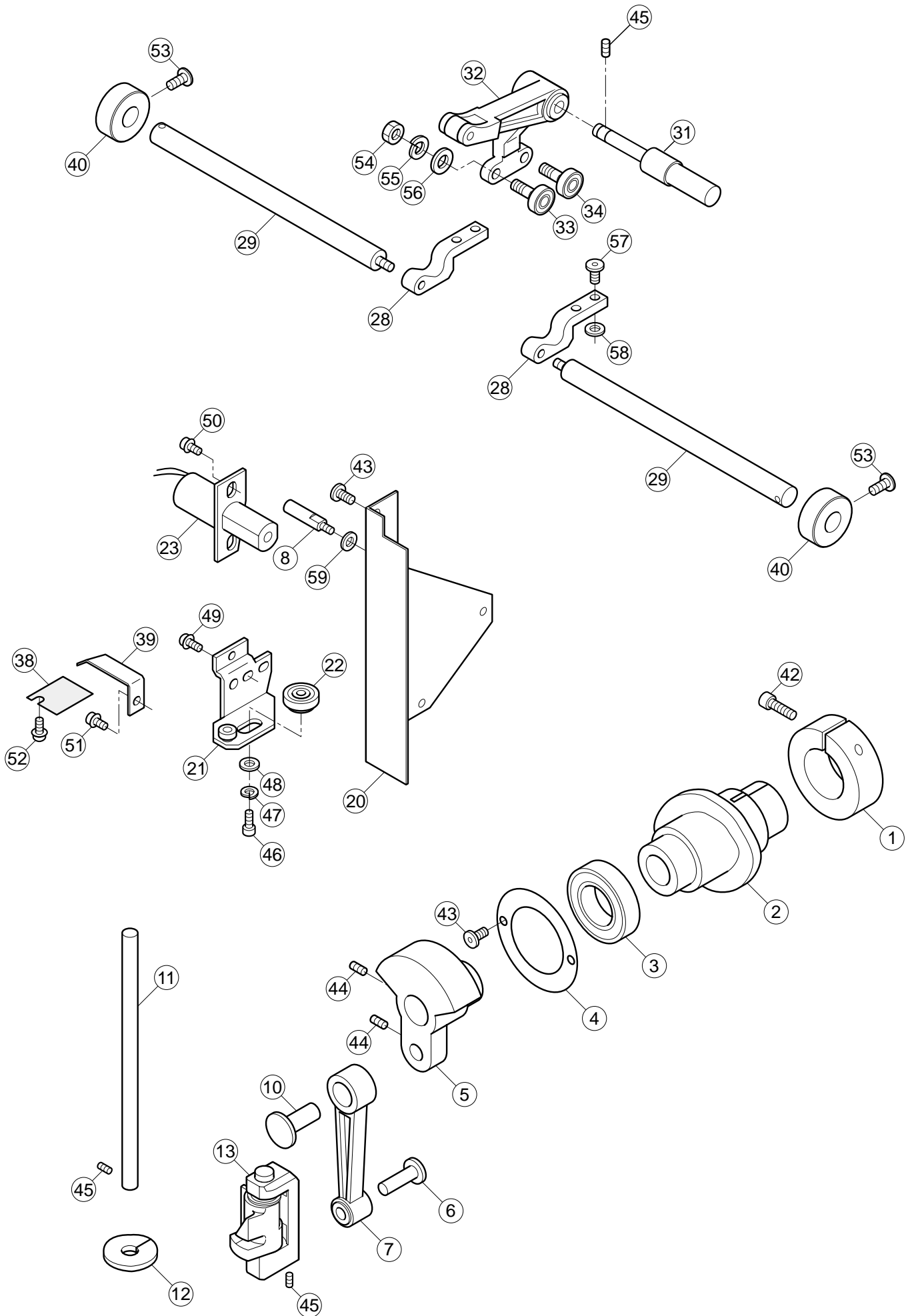


THREAD CUTTING DRIVER

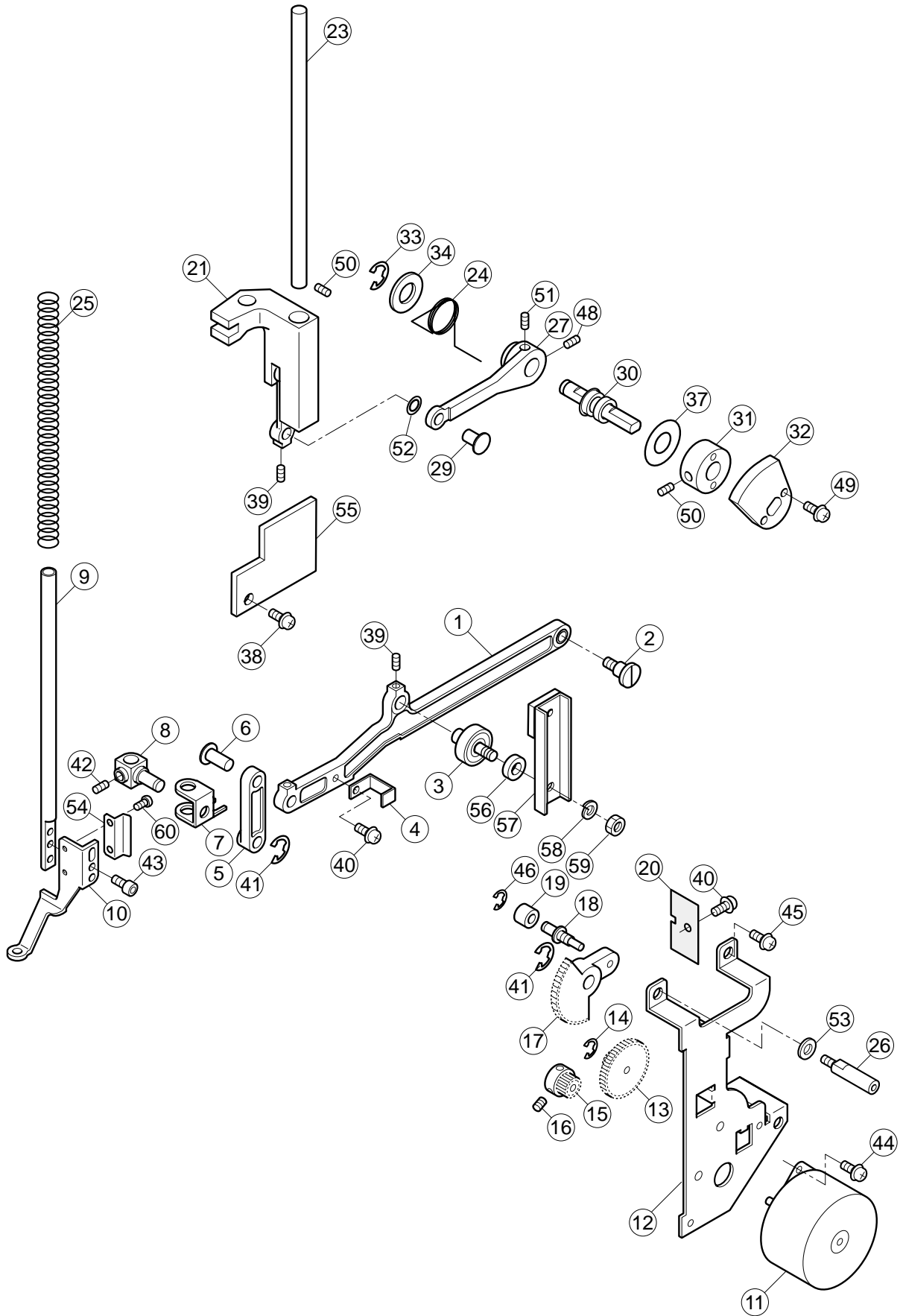
CSG601

4a-1

Ass'y	El't	Parts No.	Parts Names	Note
	2	HCB79100	Thread cutting solenoid	
	3	HCB06080	Solenoid bracket	
	7	HCB06051	Lever ass'y	
	8	HCB06351	Spring	
	9	MPZ02360	Pin	
	10	HCB06031	Roller	
	11	HCB06021	Drive pin	
	12	HCB06400	Base ass'y	
	13	SSAA03004	Hexagon socket set screw (M3x4)	
	14	HCB06302	Rock pin	
	16	HCB06090	Drive shaft	
	17	SSAA04004	Hexagon socket set screw (M4x4)	
	18	SSAA03006	Hexagon socket set screw (M3x6)	
	19	HCB06113	Drive arm	
	20	HCA04060	Drive shaft retainer B	
	21	HCB06131	Lever screw	
	22	HCB06141	Lever spring	
	23	HCB06323	Lever	
	24	HCB06332	knob	
	25	HCB06271	Drive Link ass'y	
	26	HCB06282	Fulcrum shaft	
	27	HCB06241	Link pin	
	28	HCB81110	Sensor board ass'y	
	29	HCB06251	Sensor bracket	
	30	HCB06153	Cam	
	31	HCB06292	Fasten collar	
	32	HCB06380	Pin	
	33	HCB06361	Stopper	
	34	HCB06371	Spring	
	35	MPA00210	Spacer (ASF-580)	
	36	HCB06390	Stay	
	37	WSAC2C000	Spring lock washer (M2.3)	
	38	NHAC2C000	Hexagon nut (M2.3)	
	39	SSAA03004	Hexagon socket set screw (M3x4)	
	40	SPDB03006	Pan head screw (cross recessed, M3x6)	
	41	MPR00290	E-ring (E-3)	
	42	SCAA03015	Hexagon socket head cap screw (M3x15)	
	43	NHAD03000	Hexagon nut (M3)	
	44	SHAA03015	Hexagon head bolt (M3x15)	
	45	NHAA03000	Hexagon nut (M3)	
	46	WPAA03000	Plain washer (M3)	
	47	WSAA03000	Spring lock washer (M3)	
	48	SCAA03006	Hexagon socket head cap screw (M3x6)	
	49	SCAA04010	Hexagon socket head cap screw (M4x10)	
	50	WPAD03000	Plain washer (M3)	
	51	SCAA05025	Hexagon socket head cap screw (M5x25)	
	52	NHAA05000	Hexagon nut (M5)	
	53	SCAA05020	Hexagon socket head cap screw (M5x20)	
	54	WSAA05000	Spring lock washer (M5)	
	55	SCAA05010	Hexagon socket head cap screw (M5x10)	
	56	SPDB04008	Pan head screw (cross recessed, M4x8)	
	57	SPDD03006	Pan head screw (cross recessed, M3x6)	
	58	SCAA04015	Hexagon socket head cap screw (M4x15)	



Ass'y	El't	Parts No.	Parts Names	Note
	1	HCB08340	Fasten collar	
	2	HCB08420	Barrel cam	
	3	MPB00920	Bearing (6904ZZ)	
	4	HCB08180	Bearing retainer	
	5	HCB08011	Crank	
	6	HCB08042	Rod pin	
	7	HCB08640	Rod ass'y	
	8	HCB10140	Screw	
	10	HCB08031	Crank pin	
	11	HCB08122	Head shaft	
	12	HCB08681	Felt	
	13	HCB08064	Needle bar driver ass'y	
	20	HCB08242	Face plate	
	21	HCB08213	Positioning plate ass'y	
	22	HCBU08070	Positioning roller ass'y	
	23	HCB08501	Jump solenoid ass'y	
	28	HCB08331	Take-up lever guide base	
	29	HCB08322	Take-up lever guide bar	
	31	HCB08312	Take-up lever shaft	
	32	HCBU08080	Crank ass'y	
	33	HCB08660	Eccentric roller shaft ass'y	
	34	HCB08650	Roller shaft ass'y	
	38	HCB81120	LED board ass'y	
	39	HCB27250	LED board bracket	
	40	HCB55530	Shipping collar	
	42	SCAA05020	Hexagon socket head cap screw (M5x20)	
	43	SCFA04008	Hexagon socket low head screw (M4x8)	
	44	SSAA05006	Hexagon socket set screw (M5x6)	
	45	SSAA04006	Hexagon socket set screw (M4x6)	
	46	SCAA04010	Hexagon socket head cap screw (M4x10)	
	47	WSAA04000	Spring lock washer (M4)	
	48	WPCA4E13016	Plain washer (4x13)	
	49	SPFD04008	Pan head screw (cross recessed, M4x8)	
	50	SCBA04006	Hexagon socket head cap screw with flange (M4x6)	
	51	SCBA04008	Hexagon socket head cap screw with flange (M4x8)	
	52	SPAD03006	Pan head screw (cross recessed, M3x6)	
	53	SPHB05010	Pan head screw (cross recessed, M5x10)	
	54	NHBA05000	Hexagon nut (M5)	
	55	WSAA05000	Spring lock washer (M5)	
	56	WPBA05000	Plain washer (M5)	
	57	SCFA04010	Hexagon socket low head screw (M4x10)	
	58	WPBA04000	Plain washer (M4)	
	59	WPAA03000	Plain washer (M3)	

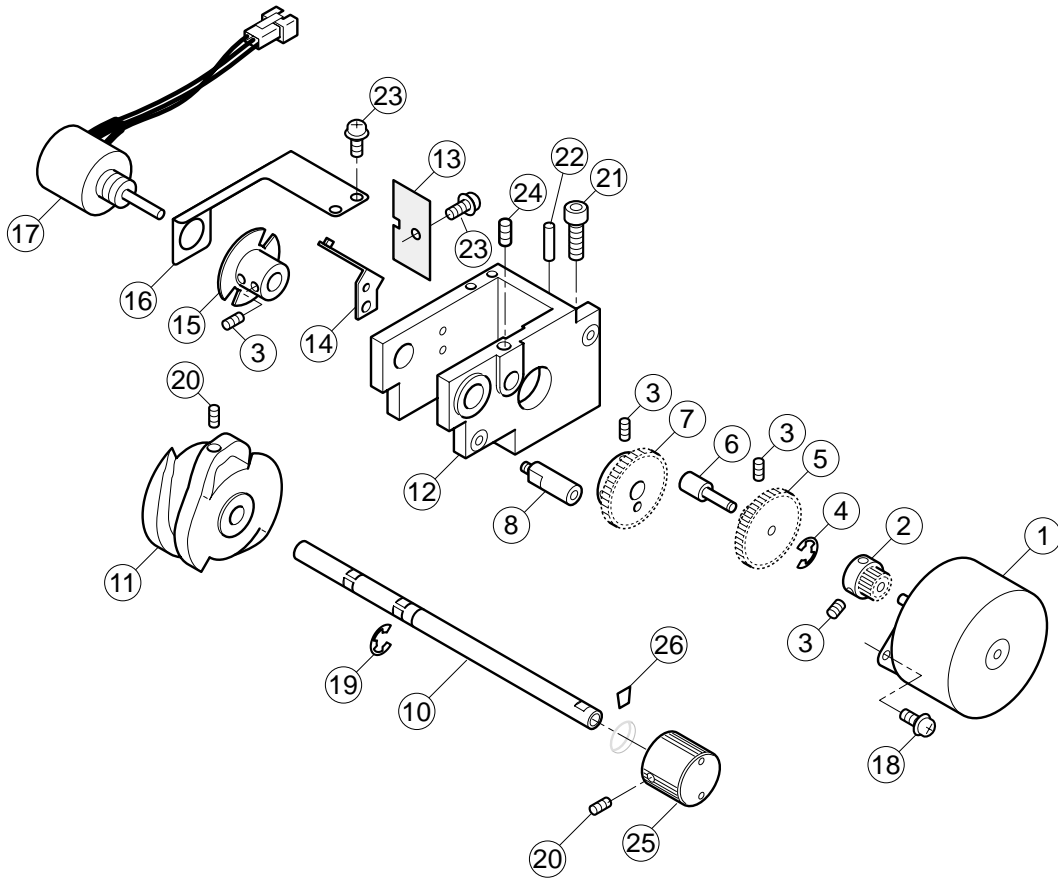


Ass'y	El't	Parts No.	Parts Names	Note
	1	HCBU13030	Lever ass'y	
	2	HCB13030	Fulcrum shaft	
	3	HCB13361	Lever shaft C ass'y	
	4	HCB13151	Detecting plate	
	5	HCB13023	Link	
	6	HCB13041	Lever shaft A	
	7	HCB13293	Guide	
	8	HCB13081	Guide bar boss	
	9	HCB13370	Pressure foot guide bar	
	10	HCB13380	Pressure foot	
	11	EPM00480	Pulse motor	
	12	HCB13104	Bracket ass'y	
	13	HCB10042	Gear	
	14	MPR00300	E-ring (E-2)	
	15	HCB10033	Drive gear A	
	16	SSAA03004	Hexagon socket set screw (M3x4)	
	17	HCB13273	Gear	
	18	HCB13171	Pin	
	19	HCB13160	Roller	
	20	HCB81110	Sensor board ass'y	
	21	HCBU09030	Block ass'y	
	23	HCB09061	Guide shaft	
	24	HCB09082	Spring	
	25	HCB13232	Pressure foot spring 2	
	26	HCB01770	Screw	
	27	HCB09034	Link B	
	29	HCB09052	Pin B	
	30	HCBU09020	Drive shaft ass'y	
	31	HCB13211	Cam collar	
	32	HCB13242	Cam	
	33	MPR00470	E-ring (E-6)	
	34	WPAA08000	Plain washer (M8)	
	35	FRA43520	Bearing	
	36	MPB00970	Bearing (678ZZ)	
	37	MPB00600	Plastic thrust washer (TW0920)	
	38	SPDB04010	Pan head screw (cross recessed, M4x10)	
	39	SSAA03004	Hexagon socket set screw (M3x4)	
	40	SPDD03006	Pan head screw (cross recessed, M3x6)	
	42	SSAA04006	Hexagon socket set screw (M4x6)	
	43	SCAD03006	Hexagon socket head cap screw (M3x6)	
	44	SPFB03006	Pan head screw (cross recessed, M3x6)	
	45	SPDB04008	Pan head screw (cross recessed, M4x8)	
	46	MPR00290	E-ring (E-3)	
	48	SSAA04005	Hexagon socket set screw (M4x5)	
	49	SPFD03012	Pan head screw (cross recessed, M3x12)	
	50	SSAA04006	Hexagon socket set screw (M4x6)	
	51	SSBA04005	Hexagon socket set screw (M4x5)	
	52	PSA05B013	Plastic thrust washer (5.2x8x0.13)	
	53	WPBA04000	Plain washer (M4)	
	54	HCB13390	Pressure foot bracket	
	55	HCB13310	Pressure foot guide plate B	
	56	HCB13340	Spacer	
	57	HCB13350	Pressure foot guide plate A ass'y	
	58	WSAD04000	Spring lock washer (M4)	
	59	NHAD04000	Hexagon nut (M4)	
	60	SPAD02003	Pan head screw (cross recessed, M2x3)	

NEEDLE BAR CHANGE UNIT

CSE801

7a-1

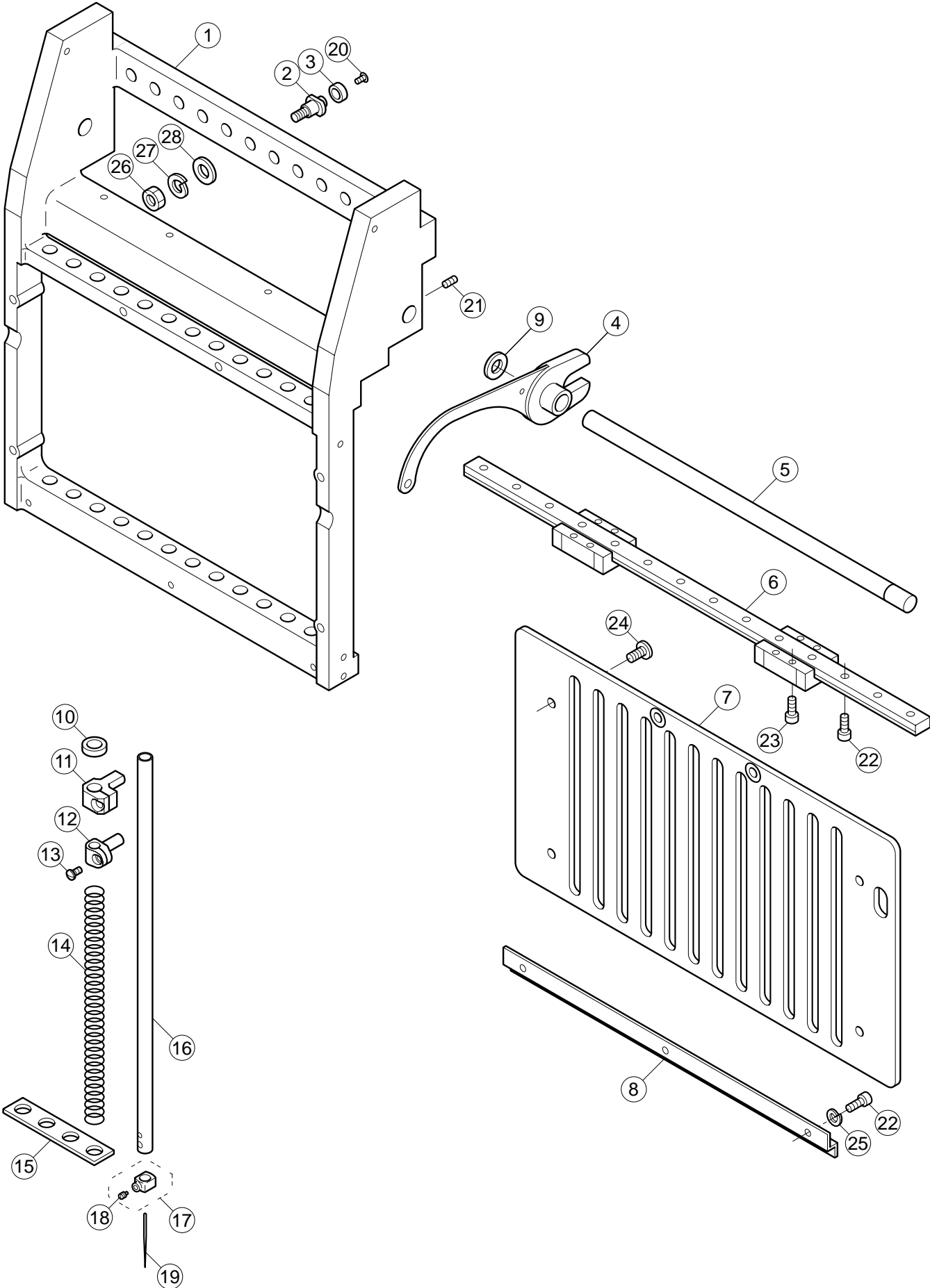


NEEDLE BAR CHANGE UNIT

CSG601

7a-1

Ass'y	El't	Parts No.	Parts Names	Note
	1	EPM00480	Pulse motor	
	2	HCB10033	Drive gear A	
	3	SSAA03003	Hexagon socket set screw (M3x3)	
	4	MPR00300	E-ring (E-2)	
	5	HCB10042	Gear	
	6	HCB10020	Drive shaft A	
	7	HCB10051	Drive gear B	
	8	HCB10140	Screw	
	10	HCB10062	Drive shaft B (with screw)	
	11	HCB10073	Cam	
	12	HCB10180	Base ass'y	
	13	HCB81110	Sensor board ass'y	
	14	HCB10090	Sensor bracket	
	15	HCB10081	Slit collar	
	16	HCB10100	Hold plate B	
	17	HCB79400	Potentiometer ass'y	
	18	SPFB03006	Pan head screw (cross recessed, M3x6)	
	19	MPR00080	E-ring (E-5)	
	20	SSAA03006	Hexagon socket set screw (M3x6)	
	21	SCAA04012	Hexagon socket head cap screw (M4x12)	
	22	MPPW03012	Spring pin (3x12)	
	23	SPDD03006	Pan head screw (cross recessed, M3x6)	
	24	SSAA04005	Hexagon socket set screw (M4x5)	
	25	HCB10191	Knob	
	26	HCB55580	Position marker	

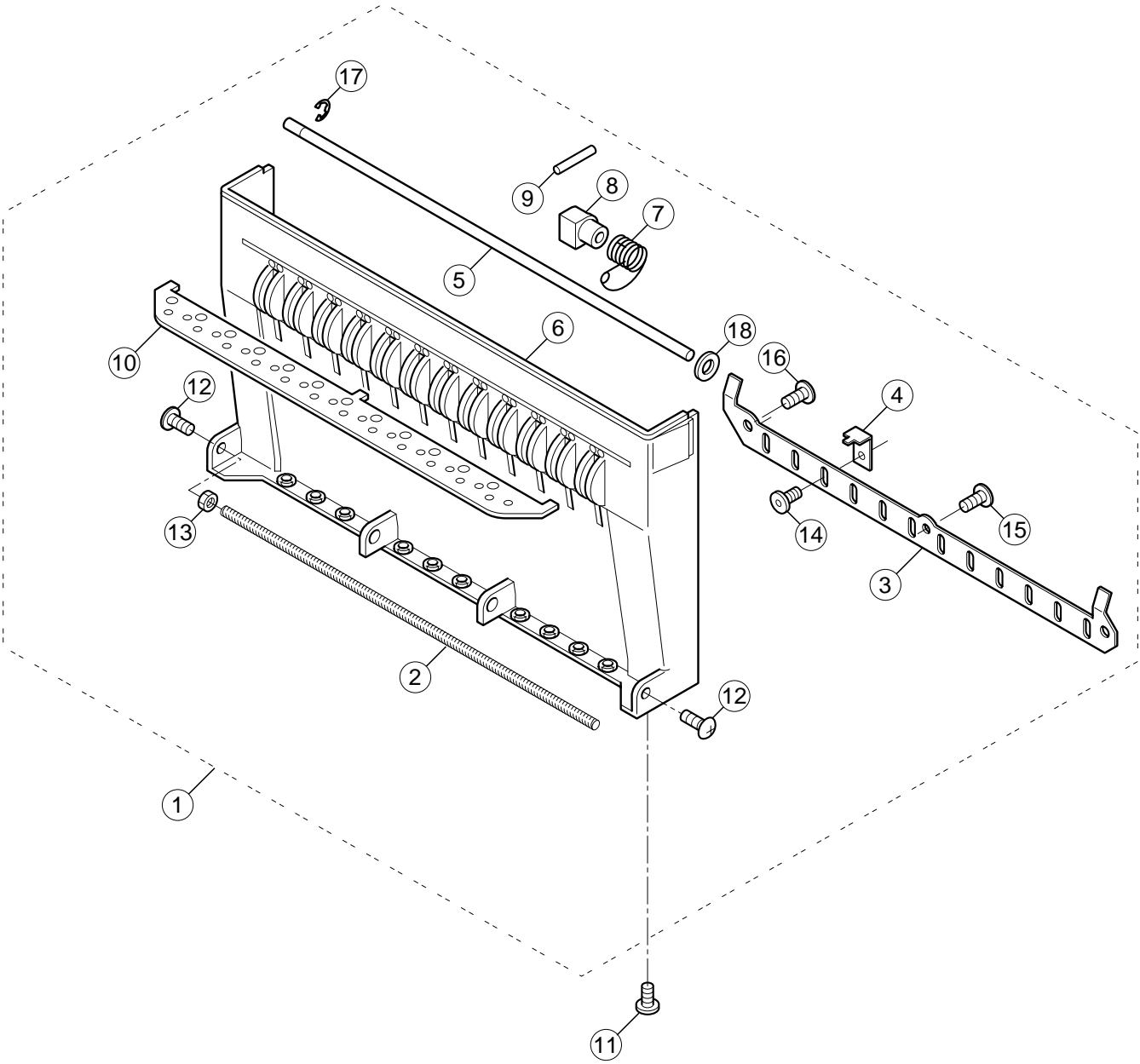


MOVING HEAD 1

CSG601

8a-1

Ass'y	El't	Parts No.	Parts Names	Note
	1	HCB12014	Moving head	
	2	HCB10113	Roller shaft	
	3	HCB10121	Roller	
	4	HCB12093	Take-up lever ass'y	
	5	HCB12061	Take-up lever shaft	
	6	HCB12021	Upper rail	
	7	HCB12053	Needle bar boss check plate	
	8	HCB12390	Lower rail	
	9	MPA00300	Plastic washer (CC-0816-10)	
	10	HCB12190	Cushion	
	11	HCB12361	Needle bar boss B	
	12	HCB12120	Needle bar boss	
	13	HCB12131	Screw for needle bar boss	
	14	HCB12181	Needle bar spring	
	15	HCB12200	Felt	
	16	HCB12113	Needle bar	
	17	HCB12171	Needle holder ass'y	
17*	18	HCB12160	Screw for needle holder	
	19	MPZ00150	Needle (#11)	
	20	HCA10130	Screw	
	21	SSAA04004	Hexagon socket set screw (M4x4)	
	22	SCAA03008	Hexagon socket head cap screw (M3x8)	
	23	SCAA03012	Hexagon socket head cap screw (M3x12)	
	24	SCFA04008	Hexagon socket low head screw (M4x8)	
	25	WSAA03000	Spring lock washer (M3)	
	26	NHAD04000	Hexagon nut (M4)	
	27	WSAD04000	Spring lock washer (M4)	
	28	WPAD04000	Plain washer (M4)	



MOVING HEAD 2

CSG601

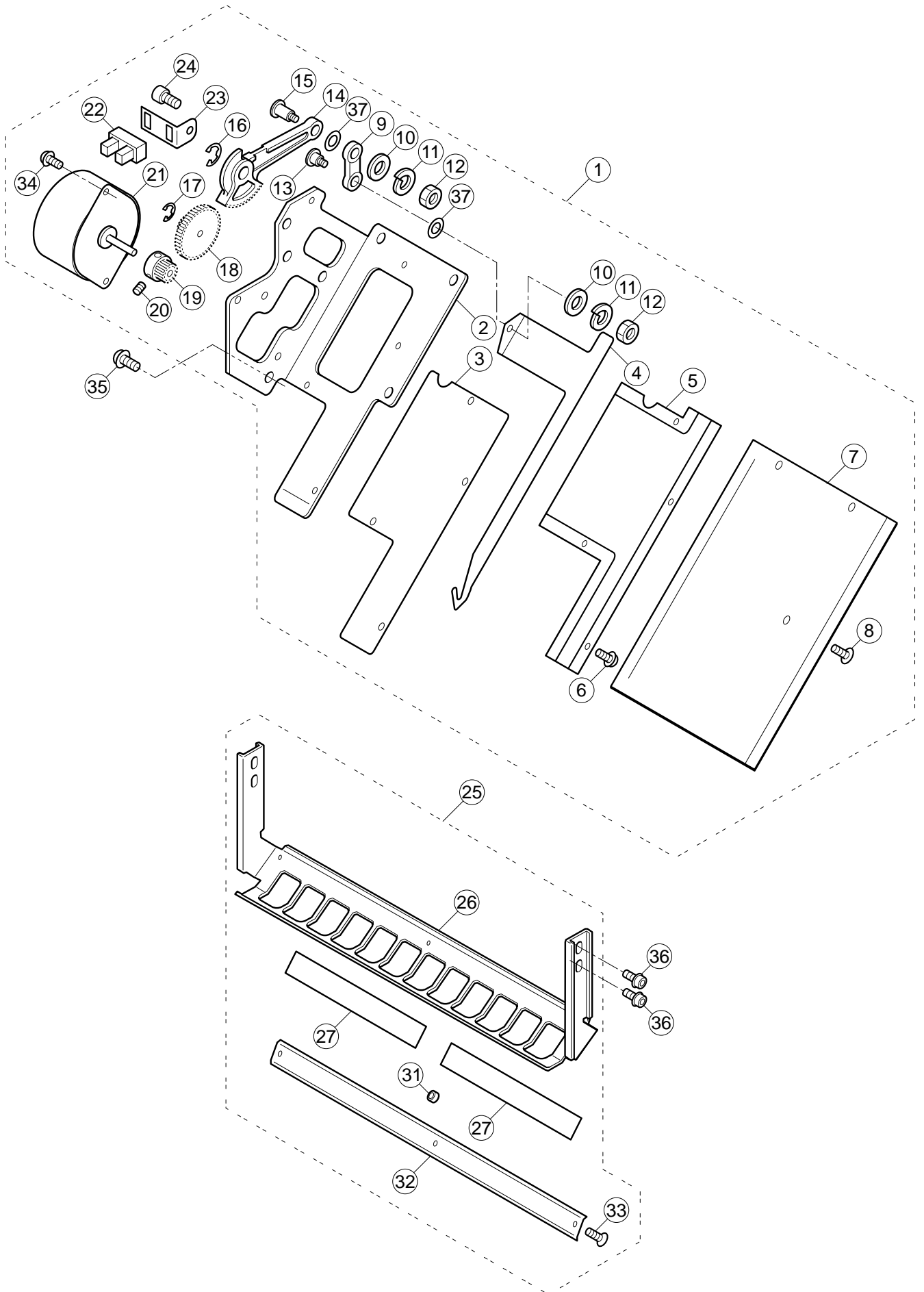
8b-1

Ass'y	El't	Parts No.	Parts Names	Note
	1	HCB912540	Lower front panel ass'y	
1*	2	HCB12311	Spring	
1*	3	HCB12371	Adjuster base	
1*	4	HCB12381	Adjuster	
1*	5	HCB12281	Pin	
1*	6	HCB12540	Lower front panel with eyelet	
1*	7	HCB12241	Thread adjusting spring	
1*	8	HCB12231	Spring holder	
1*	9	HCB12262	Thread support	
1*	10	HCB12271	Thread guide plate	
	11	SBAB04008	Binding head screw (M4x8)	
1*	12	STAB04012	Truss head screw (cross recessed, M4x12)	
1*	13	NHBB04000	Hexagon nut (M4)	
1*	14	SCEA03006	Hexagon socket low head screw (M3x6)	
1*	15	SBAB03005	Binding head screw (M3x5)	
1*	16	SBAB04005	Binding head screw (M4x5)	
1*	17	MPR00290	E-ring (E-3)	
1*	18	WPAD04000	Plain washer (M4)	

THREAD CATCHER

CSE801

9a-1



THREAD CATCHER

CSG601

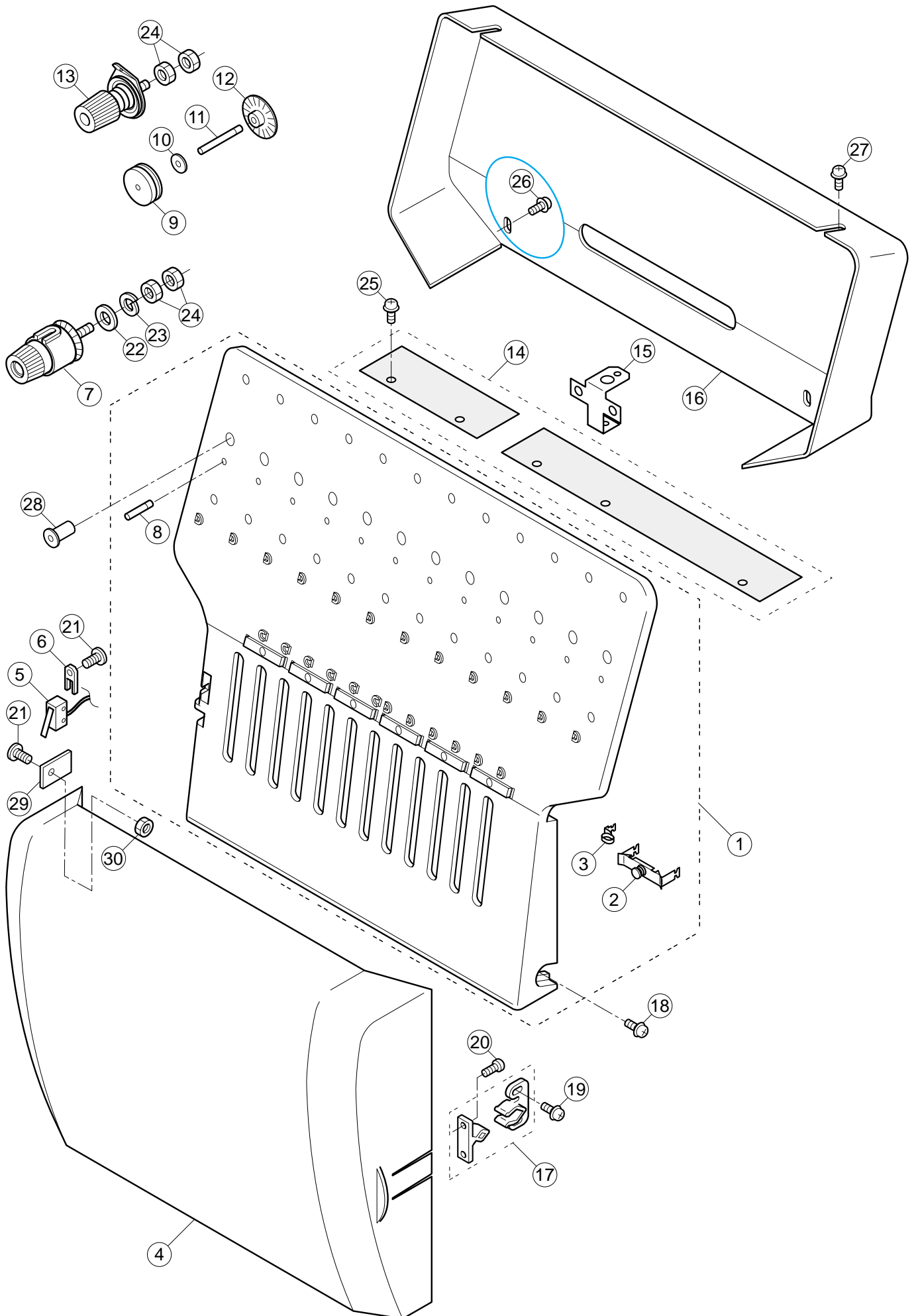
9a-1

Ass'y	El't	Parts No.	Parts Names	Note
	1	HCBU14010	Thread catcher ass'y	
1*	2	HCB14017	Bracket	
1*	3	HCB14124	Sheet	
1*	4	HCB14291	Hook	
1*	5	HCB14136	Guide	
1*	6	SPDB03008	Pan head screw (cross recessed, M3x8)	
1*	7	HCB14150	Guard plate	
1*	8	STAB03006	Truss head screw (cross recessed, M3x6)	
1*	9	HCB14081	Link	
1*	10	WPBD03000	Plain washer (M3)	
1*	11	WSAD03000	Spring lock washer (M3)	
1*	12	NHCD03000	Hexagon nut (M3)	
1*	13	HCB14100	Screw	
1*	14	HCB14070	Rod	
1*	15	HCB14090	Link screw	
1*	16	MPR00420	E-ring (E-4)	
1*	17	MPR00300	E-ring (E-2)	
1*	18	HCB10042	Gear	
1*	19	HCB10033	Drive gear A	
1*	20	SSAA03003	Hexagon socket set screw (M3x3)	
1*	21	EPM00480	Pulse motor	
1*	22	EPP00520	Photo interrupter	
1*	23	HCB14140	Sensor bracket	
1*	24	SCAA03005	Hexagon socket head cap screw (M3x5)	
	25	HCB914021	Thread holder ass'y	
25*	26	HCB14301	Holder (upper)	
25*	27	HCB14223	Magic tape A	
25*	31	HCB14193	Spacer	
25*	32	HCB14172	Holder (lower)	
25*	33	SGAB02006	Flat head screw (cross recessed head, M2x6)	
1*	34	SPFB03006	Pan head screw (cross recessed, M3x6)	
	35	SPDB04008	Pan head screw (cross recessed, M4x8)	
	36	SCBA03006	Hexagon socket head cap screw with flange (M3x6)	
	37	MPA00170	Plastic washer (CC-0509-03)	

THREAD TENSION

CSG401

10a-1



THREAD TENSION

CSG601

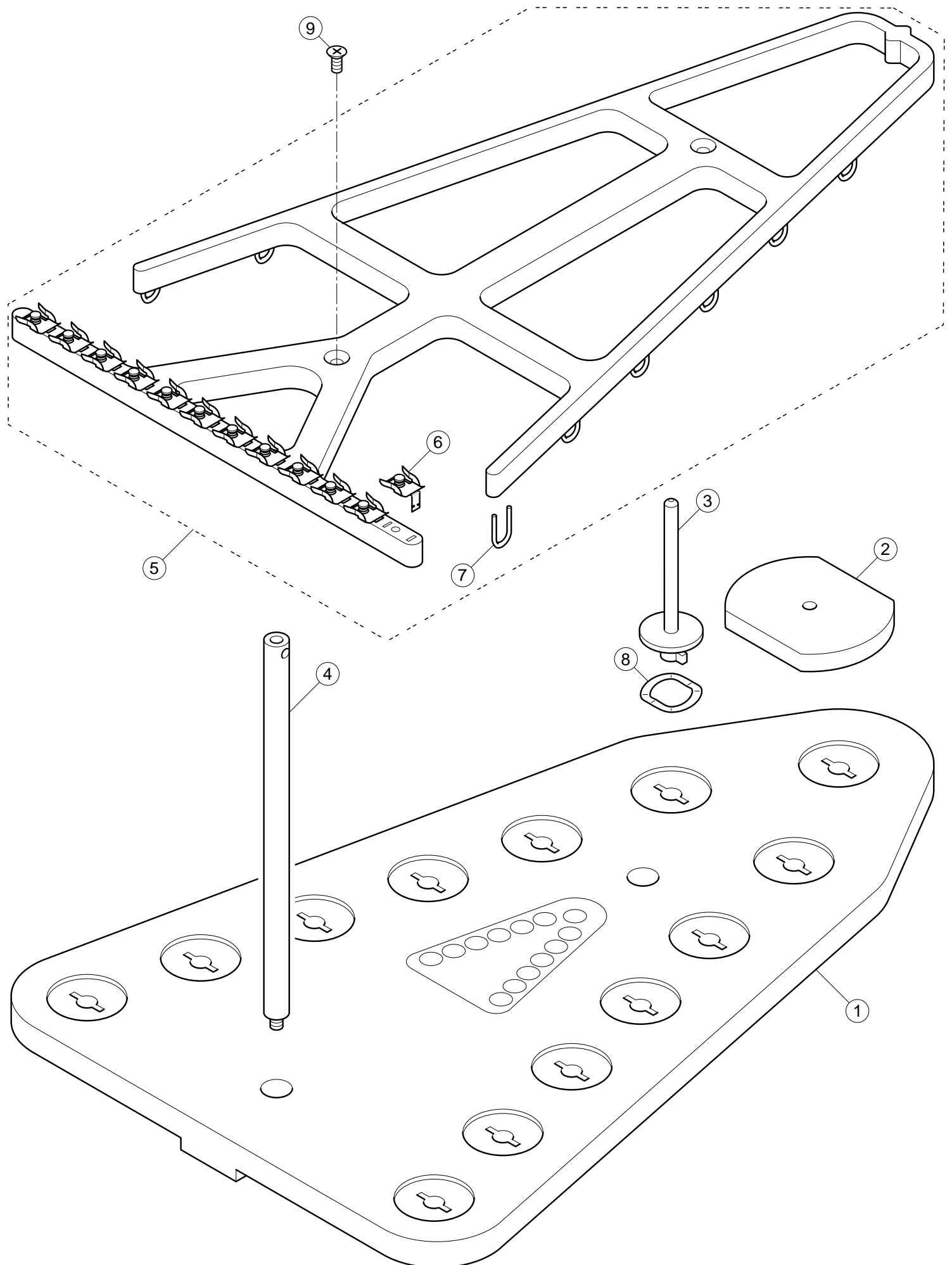
10a-1

Ass'y	El't	Parts No.	Parts Names	Note
	1	HCB916550	Thread tension bracket ass'y	
1*	2	HCB16403	Lower rectifier	
1*	3	HCB16392	Thread eyelet	
	4	HCB16465	Front cover	
	5	HCB79361	Limit switch ass'y	
	6	HCB16480	Stopper	
	7	HCB16301	Thread tension ass'y	
1*	8	HCB16132	Thread guide bar	
	9	M0445092	Detecting roller	
	10	MPA00170	Plastic washer (CC-0509-03)	
	11	HCB16023	Roller shaft	
	12	HCB16470	Slit disc	
	13	HCB16211	Thread guide unit	
	14	HCB81050	TC12 board ass'y	
	15	HCB16040	Sensor bracket	
	16	HCB16094	Rear cover	
	17	MPZ02330	Catcher	
	18	SPDB04010	Pan head screw (cross recessed, M4x10)	
	19	SPDD03010	Pan head screw (cross recessed, M3x10)	
	20	SBCC2C008	Binding head screw (M2.3x8)	
	21	SBAB03006	Binding head screw (M3x6)	
	22	WPAD04000	Plain washer (M4)	
	23	WSAD04000	Spring lock washer (M4)	
	24	NHAD04000	Hexagon nut (M4)	
	25	SPDD03006	Pan head screw (cross recessed, M3x6)	
	26	SPDB04008	Pan head screw (cross recessed, M4x8)	
	27	SPDD03008	Pan head screw (cross recessed, M3x8)	
	28	HCB16290	Roller shaft support	
	29	HCB16560	Front cover bracket	
	30	NHAD03000	Hexagon nut (M3)	

THREAD STAND

CSEA01

11a-1

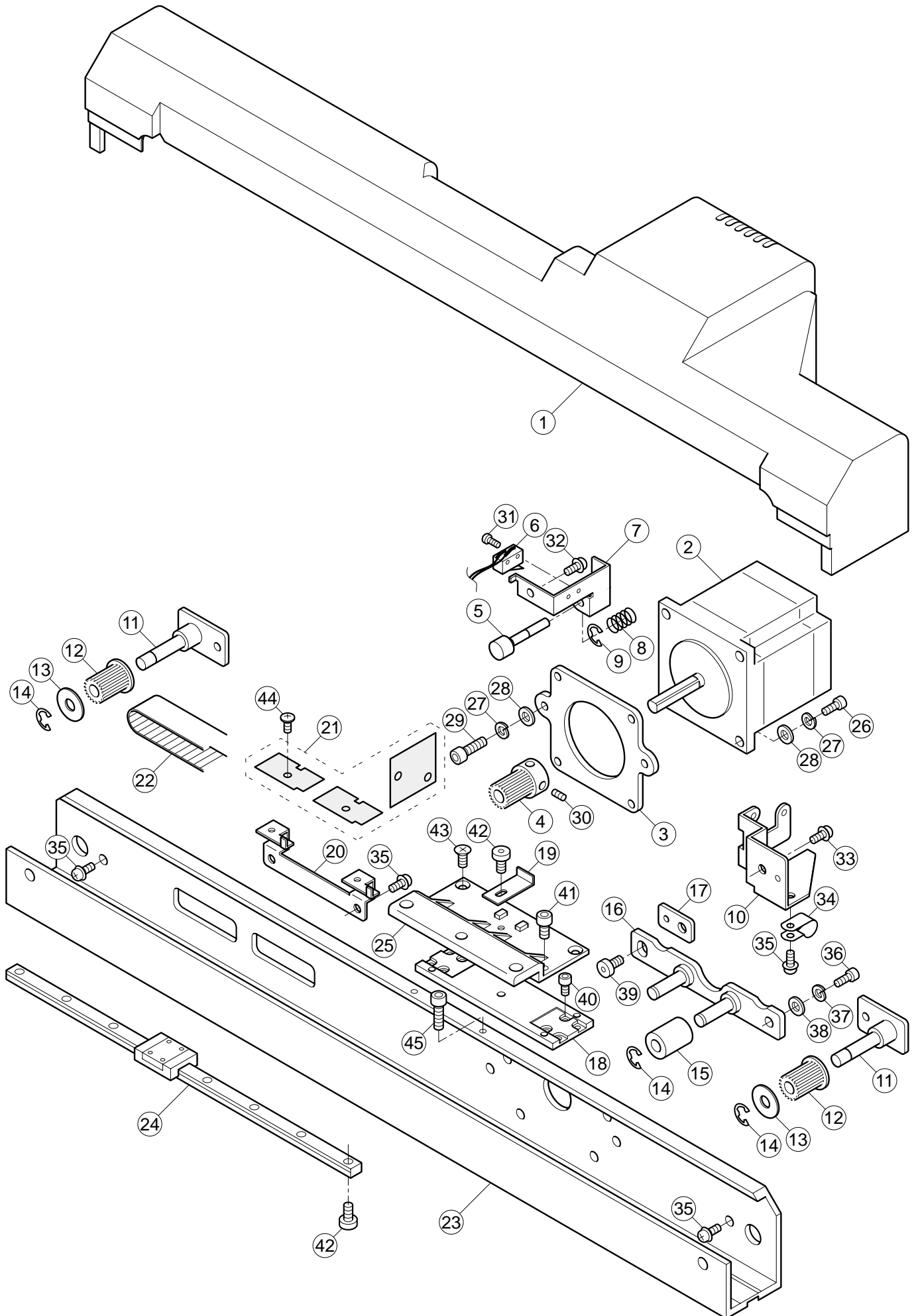


THREAD STAND

CSG601

11a-1

Ass'y	El't	Parts No.	Parts Names	Note
	1	HCB20111	Thread stand	
	2	HCB20131	Thread stand felt	
	3	HCB20121	Thread stand pin	
	4	HCB20012	Thread guide pillar	
	5	HCBU20010	Thread guide bracket ass'y	
	6	HCB20062	Upper rectifier	
	7	HCB20091	Thread guide	
	8	MPZ02340	Wave washer (BW-1)	
	9	SGAB06010	Flat head screw (cross recessed head, M6x10)	



X CARRIAGE

CSG601

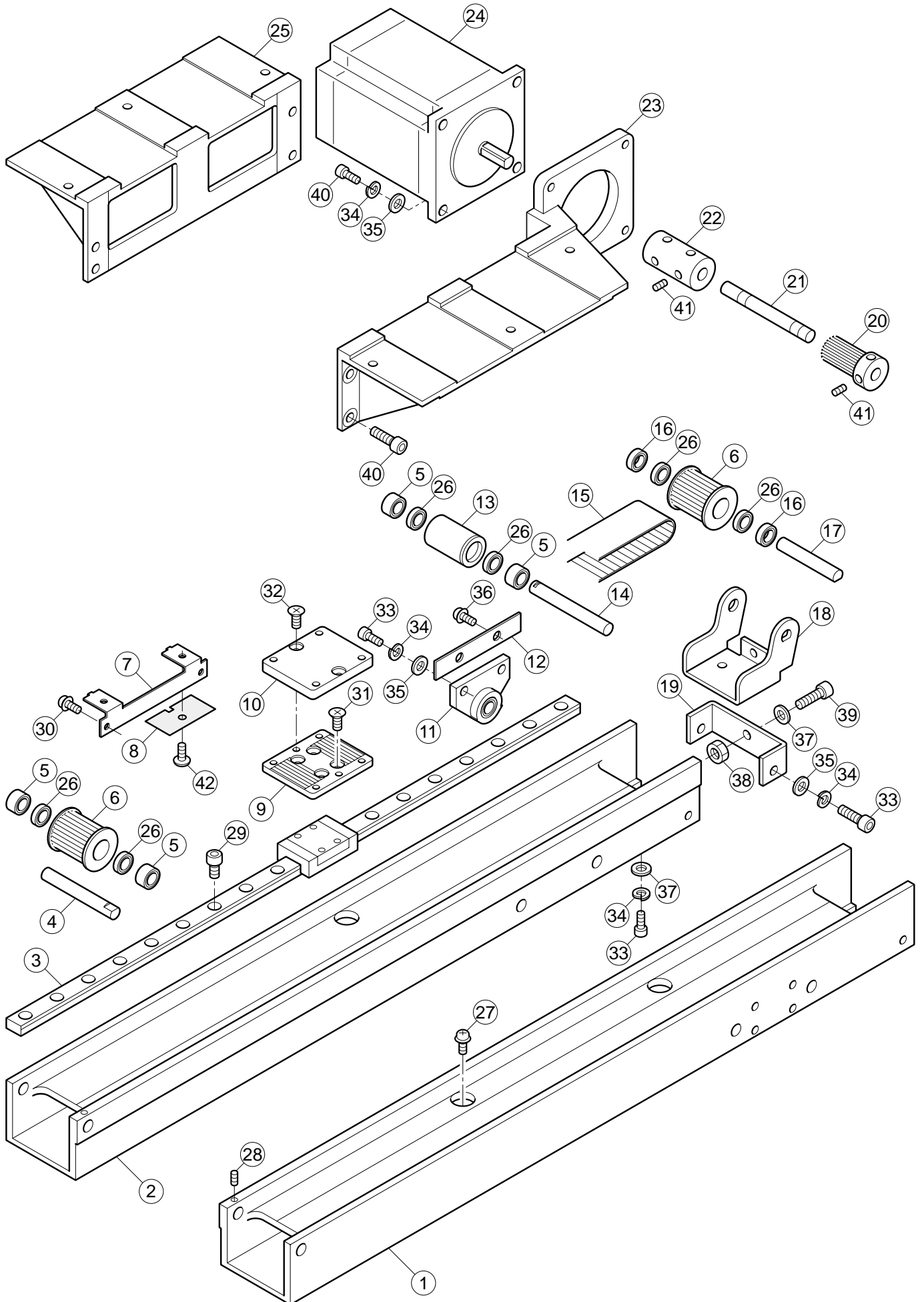
12a-1

Ass'y	El't	Parts No.	Parts Names	Note
	1	HCB24402	X carriage cover	
	2	HCB79200	X pulse motor ass'y	
	3	HCB24230	Pulse motor bracket	
	4	HCB24242	Motor pulley	
	5	HCB43210	Switch pin	
	6	HCB79412	Limit switch ass'y	
	7	HCB43200	Switch bracket	
	8	HCB24410	Spring	
	9	MPR00290	E-ring (E-3)	
	10	HCB24370	Sensor bracket	
	11	HCB24271	Idler shaft ass'y	
	12	HCB24251	Idler pulley	
	13	HCB24380	Washer	
	14	MPR00420	E-ring (E-4)	
	15	HCB24261	Tension pulley	
	16	HCB24301	Tension pulley bracket ass'y	
	17	HCB24330	Plate nut	
	18	HCB24343	Guide connecting plate	
	19	HCB24350	Detecting plate	
	20	HCB24363	Sensor bracket	
	21	HCB81100	X limit sensor board ass'y	
	22	MPV00710	Timing belt	
	23	HCB24440	X carriage base ass'y	
	24	HCB24392	Guide A	
	25	HCB40012	Connecting plate	
	26	SCAA04012	Hexagon socket head cap screw (M4x12)	
	27	WSAA04000	Spring lock washer (M4)	
	28	WPBA04000	Plain washer (M4)	
	29	SCAA04008	Hexagon socket head cap screw (M4x8)	
	30	SSAA04004	Hexagon socket set screw (M4x4)	
	31	SPAC02010	Pan head screw (cross recessed, M2x10)	
	32	SPDD03006	Pan head screw (cross recessed, M3x6)	
	33	SPDB04006	Pan head screw (cross recessed, M4x6)	
	34	EPN00060	Clamp (NK-5N)	
	35	SPDB04008	Pan head screw (cross recessed, M4x8)	
	36	SCAA05010	Hexagon socket head cap screw (M5x10)	
	37	WSAA05000	Spring lock washer (M5)	
	38	WPAA05000	Plain washer (M5)	
	39	SCEA05008	Hexagon socket low head screw (M5x8)	
	40	SCAA02004	Hexagon socket head cap screw (M2x4)	
	41	SCAA03008	Hexagon socket head cap screw (M3x8)	
	42	SCEA03006	Hexagon socket low head screw (M3x6)	
	43	SGAD03008	Flat head screw (cross recessed head, M3x8)	
	44	SBAB03004	Binding head screw (M3x4)	
	45	SCAA03015	Hexagon socket head cap screw (M3x15)	

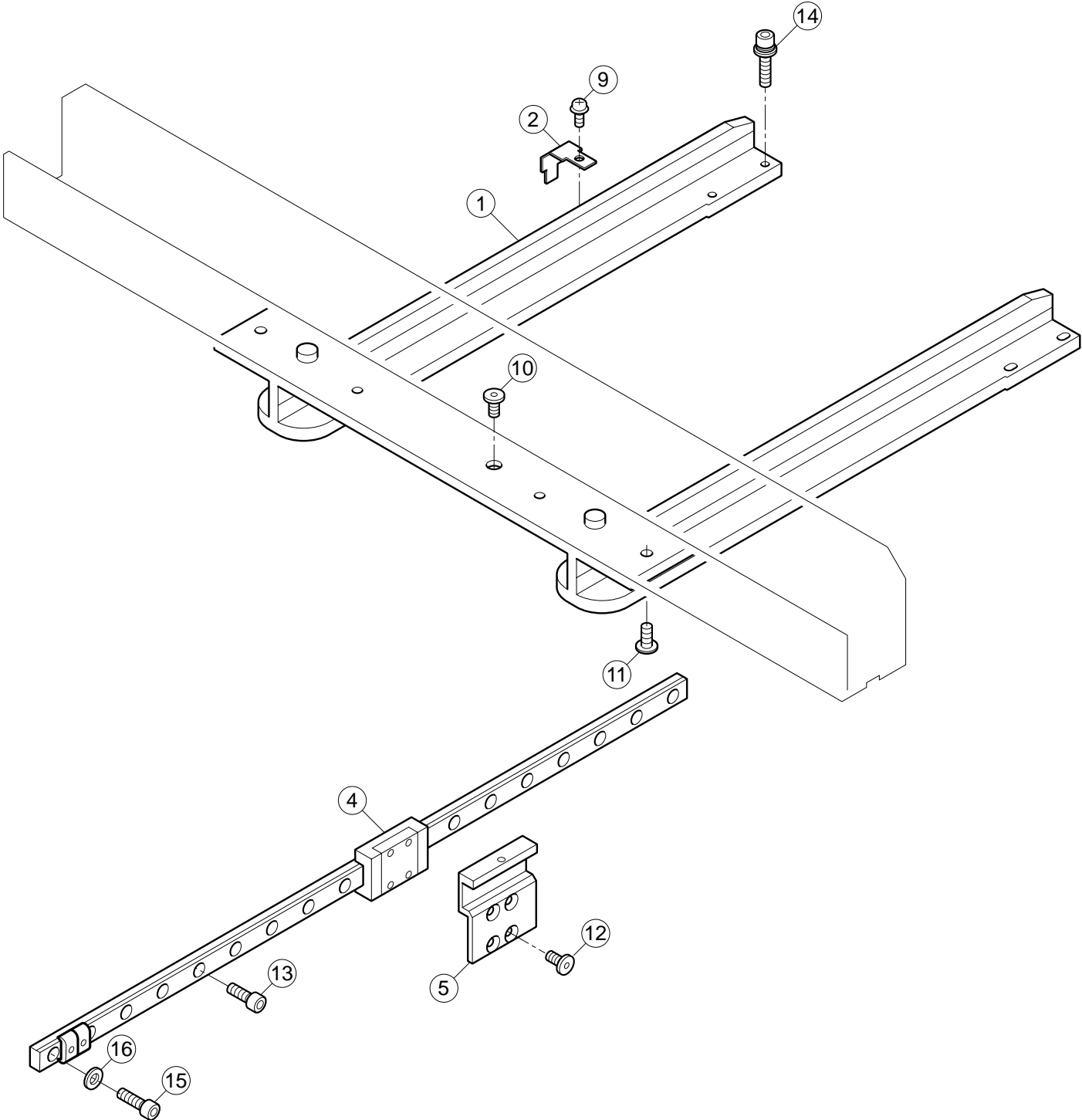
Y CARRIAGE 1

CSEA01

13a-1



Ass'y	El't	Parts No.	Parts Names	Note
	1	HCB25061	Y carriage base (right)	
	2	HCB25071	Y carriage base (left)	
	3	HCB25290	Guide Y	
	4	HCB25320	Idler shaft A	
	5	HCB25340	Collar A	
	6	HCB25153	Idler pulley ass'y	
	7	HCB25263	Sensor bracket	
	8	HCB81110	Sensor board ass'y	
	9	HCB25191	Guide connecting plate	
	10	HCB25200	Belt holding plate	
	11	HCBU25110	Drive shaft support ass'y	
	12	HCB25360	Fixing plate	
	13	HCB25113	Tension pulley	
	14	HCB25310	Tension shaft	
	15	MPV00720	Timing belt	
	16	HCB25350	Collar B	
	17	HCB25330	Idler shaft B	
	18	HCB25371	Tension base	
	19	HCB25380	Tension bracket	
	20	HCB25102	Drive pulley	
	21	HCB25090	Drive shaft	
	22	HCB25081	Coupling	
	23	HCB25013	Y carriage bracket (right)	
	24	HCB79210	Y pulse motor ass'y	
	25	HCB25033	Y carriage bracket (left)	
	26	MPB00960	Bearing (W676AZZ)	
	27	SPDB04010	Pan head screw (cross recessed, M4x10)	
	28	SSAA03004	Hexagon socket set screw (M3x4)	
	29	SCAA03006	Hexagon socket head cap screw (M3x6)	
	30	SPDD03006	Pan head screw (cross recessed, M3x6)	
	31	-	Flat head screw (cross recessed head, M3x6)	
	32	SGAD03008	Flat head screw (cross recessed head, M3x8)	
	33	SCAA04010	Hexagon socket head cap screw (M4x10)	
	34	WSAA04000	Spring lock washer (M4)	
	35	WPBA04000	Plain washer (M4)	
	36	SPDB04008	Pan head screw (cross recessed, M4x8)	
	37	WPAA04000	Plain washer (M4)	
	38	NHAA04000	Hexagon nut (M4)	
	39	SCAA04020	Hexagon socket head cap screw (M4x20)	
	40	SCAA04012	Hexagon socket head cap screw (M4x12)	
	41	SSAA04005	Hexagon socket set screw (M4x5)	
	42	SBAB03004	Binding head screw (M3x4)	

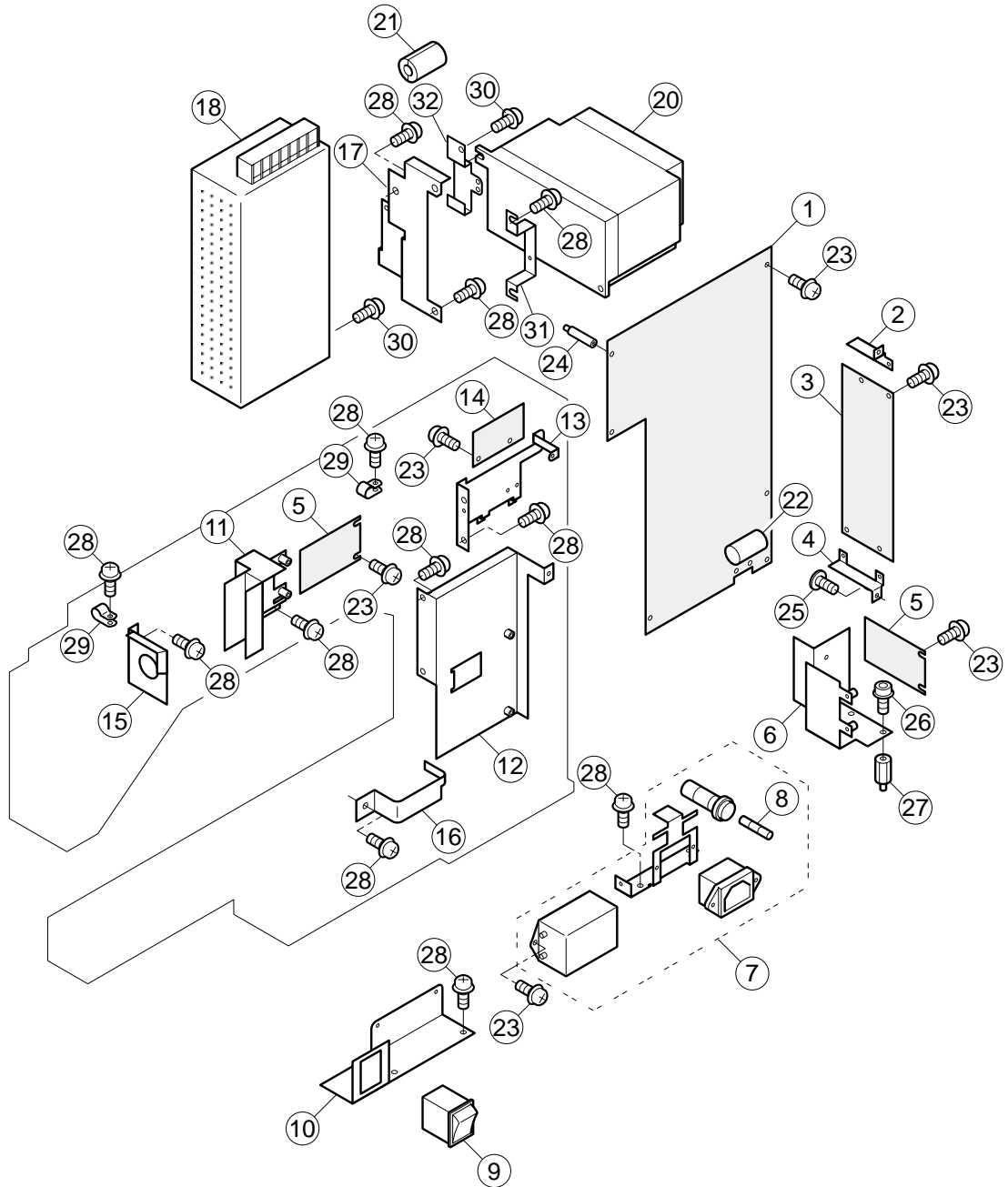


Y CARRIAGE 2

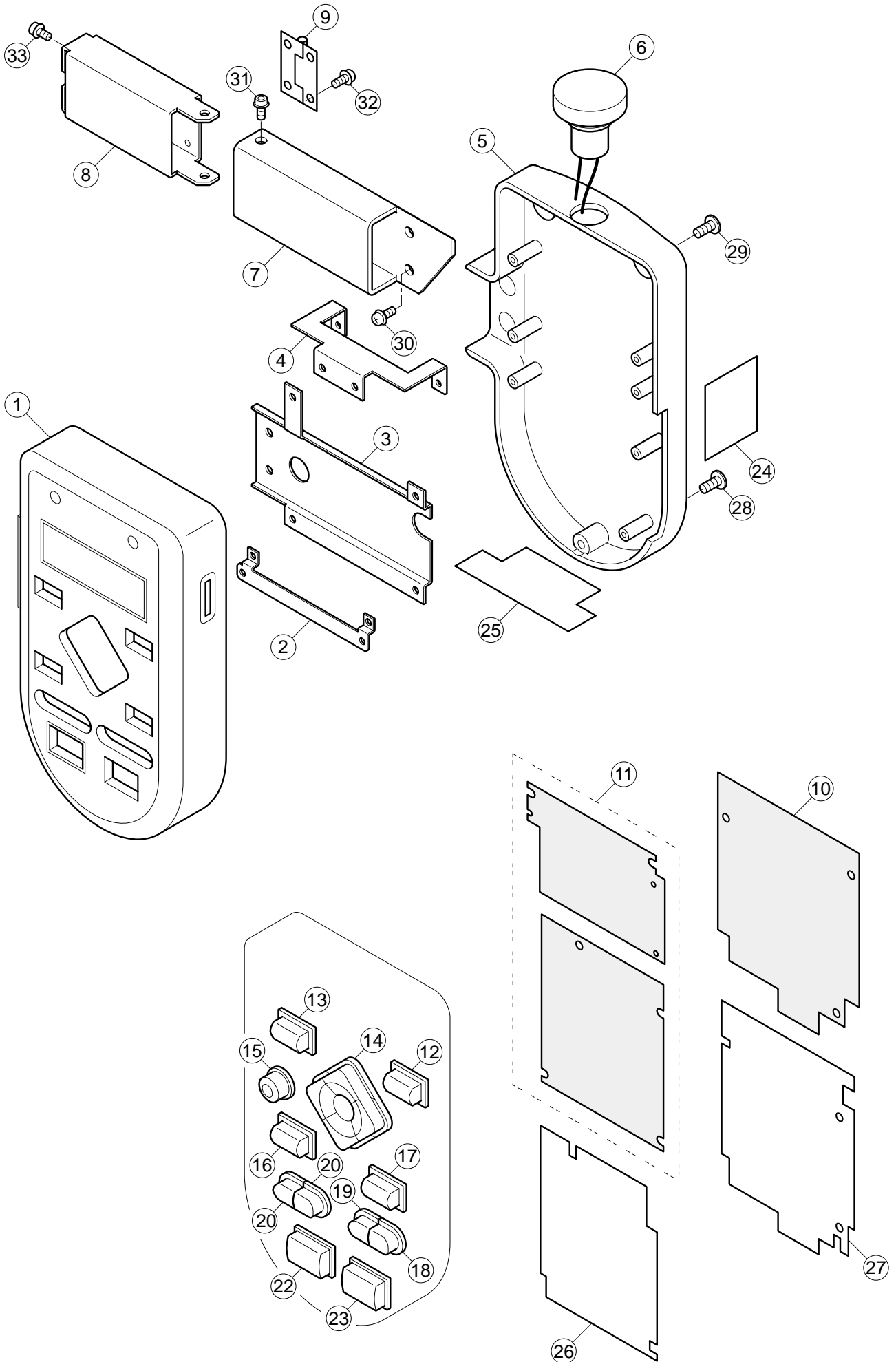
CSG601

13b-1

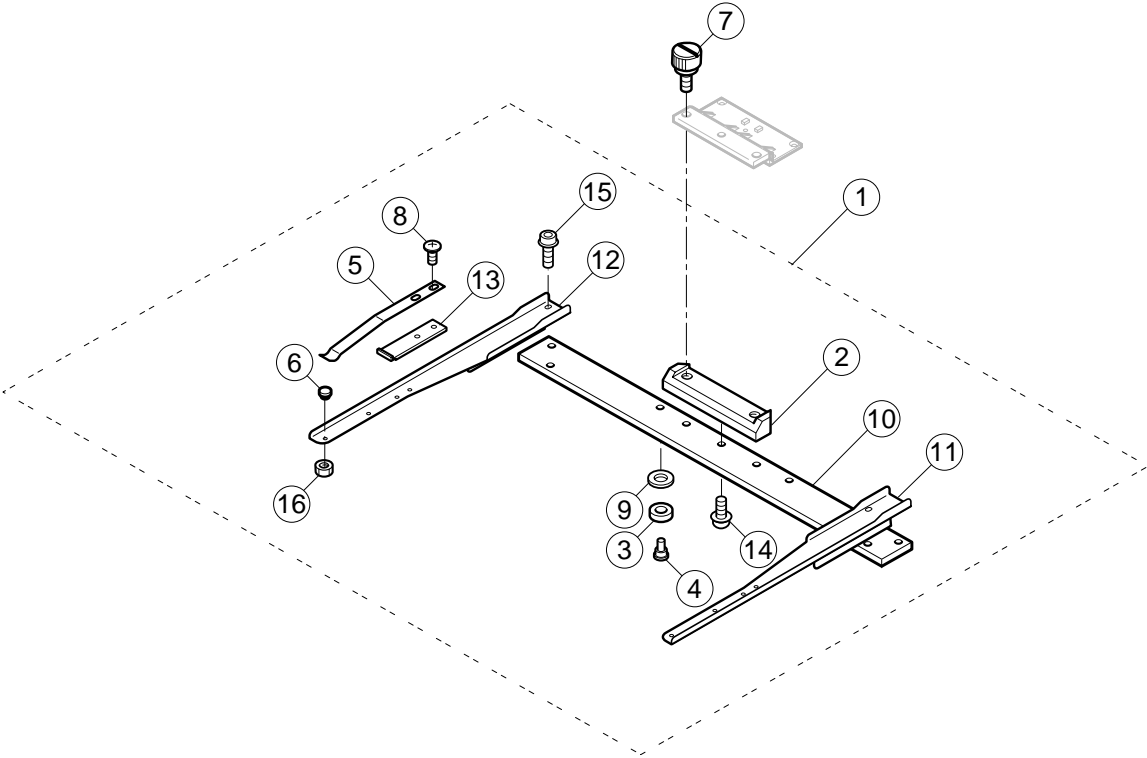
Ass'y	El't	Parts No.	Parts Names	Note
	1	HCBU25040	Arm ass'y	
	2	HCB25212	Detecting plate	
	4	HCB25290	Guide Y	
	5	HCB25301	Connecting plate B	
	6	SCGA03014	Hexagon socket head cap screw (M3x14)	
	9	SPDD03006	Pan head screw (cross recessed, M3x6)	
	10	SCEA03006	Hexagon socket low head screw (M3x6)	
	11	SBAB04008	Binding head screw (M4x8)	
	12	SCEA03004	Hexagon socket low head screw (M3x4)	
	13	SCAA03006	Hexagon socket head cap screw (M3x6)	
	14	SCGA03014	Hexagon socket head cap screw (M3x14)	
	15	SCAA03008	Hexagon socket head cap screw (M3x8)	
	16	WPAD03000	Plain washer (M3)	



Ass'y	El't	Parts No.	Parts Names	Note
	1	HCB81012	CPU board ass'y	
	2	HCB27200	Serial board bracket A	
	3	HCB81072	Serial board ass'y	
	4	HCB27210	Serial board bracket B	
	5	HCB81042	PMD board ass'y	
	6	HCB27320	Y PMD board bracket ass'y	
	7	HCB79470	Socket ass'y	
7*	8	EPF00360	Fuse (6A)	
	9	EPS00890	Power switch	
	10	HCB27021	Noise filter bracket	
	11	HCB27330	X PMD board bracket ass'y	
	12	HCB27340	CPU board bracket ass'y	
	13	HCB27242	Timing detecting board bracket	
	14	HCB81090	Timing detecting board ass'y	
	15	HCB27220	X motor cable bracket	
	16	HCB27191	Cord bracket	
	17	HCB27262	Power supply bracket	
	18	HCB79250	Power supply (100V)	
	18	HCB79260	Power supply (200V)	
	20	EPM00530	Inverter (100V)	
	20	EPM00500	Inverter (200V)	
	21	EPK00890	Clamp filter	
1*	22	EPZ00540	Battery	
	23	SPDD03006	Pan head screw (cross recessed, M3x6)	
	24	HCB01770	Screw	
	25	SBCB03008	Binding head screw (M3x8)	
	26	SCBA04008	Hexagon socket head cap screw with flange (M4x8)	
	27	MPA00160	Spacer (BS-412W)	
	28	SPDB04008	Pan head screw (cross recessed, M4x8)	
	29	EPN00070	Clamp (NK-6N)	
	30	SPDB04010	Pan head screw (cross recessed, M4x10)	
	31	HCB27350	Support bracket A (100V)	
	32	HCB27350	Support bracket B (100V)	



Ass'y	El't	Parts No.	Parts Names	Note
	1	HCB01801	Panel (front)	
	2	HCB01860	Switch bracket	
	3	HCB01740	Arm C	
	4	HCB01751	Panel bracket	
	5	HCB01811	Panel (rear)	
	6	HCB79430	Emergency stop switch (with cable)	
	7	HCB01721	Arm A	
	8	HCB01730	Arm B	
	9	MPZ02310	Hinge	
	10	HCB81032	ATACF board ass'y	
	11	HCB81020	DISP board ass'y	
	12	HCB01700F	Key top C (FORWARD)	
	13	HCB01700M	Key top C (MENU)	
	14	HCB01671	Multi key top	
	15	HCB01712	Key top D (ENT.)	
	16	HCB01700P	Key top C (P.FOOT)	
	17	HCB01700T	Key top C (T.CUT)	
	18	HCB01690P	Key top B (+)	
	19	HCB01690M	Key top B (-)	
	20	HCB01690A	Key top B (>)	
	22	HCB01820	Key top (START)	
	23	HCB01830	Key top (STOP)	
	24	HCB27290	DISP cable protective sheet 1	
	25	HCB27300	DISP cable protective sheet 2	
	26	HCB27280	SW board protective sheet	
	27	HCB27370	ATACF board protective sheet	
	28	SBCB03008	Binding head screw (M3x8)	
	29	SBCB03006	Binding head screw (M3x6)	
	30	SPDB04008	Pan head screw (cross recessed, M4x8)	
	31	SCBD04008	Hexagon socket head cap screw with flange (M4x8)	
	32	SPDD03006	Pan head screw (cross recessed, M3x6)	
	33	SCBA04008	Hexagon socket head cap screw with flange (M4x8)	

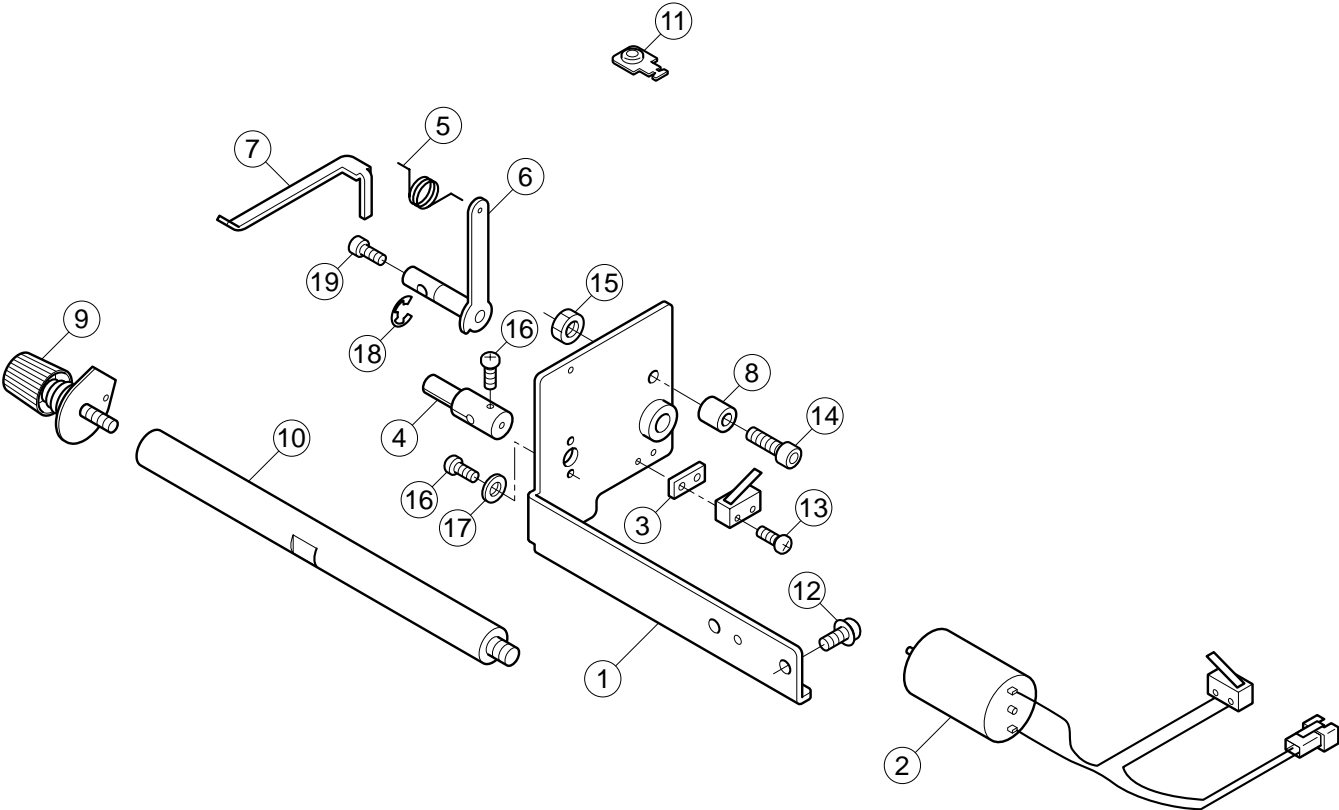


FRAME BASE

CSG601

16a-1

Ass'y	El't	Parts No.	Parts Names	Note
	1	HCB40130	Bracket	
	2	HCB40012	Connecting plate	
	3	MPB00250	Bearing (L1680ZZ)	
	4	HCB40040	Screw	
	5	HCM41353	Hold spring C	
	6	HCB40090	Positioning pin C	
	7	HCB43220	Knob bolt	
	8	SBAB04006	Binding head screw (M4x6)	
	9	WPAA05000	Plain washer (M5)	
	10	HCB40120	Arm	
	11	HCB40100	Tubular frame hold arm (right)	
	12	HCB40110	Tubular frame hold arm (left)	
	13	HCM41361	Hold spring base	
	14	SPDD04012	Pan head screw (cross recessed, M4x12)	
	15	SCBD04006	Hexagon socket head cap screw with flange (M4x6)	
	16	NHCD04000	Hexagon nut (M4)	



BOBBIN WINDER

CSG601

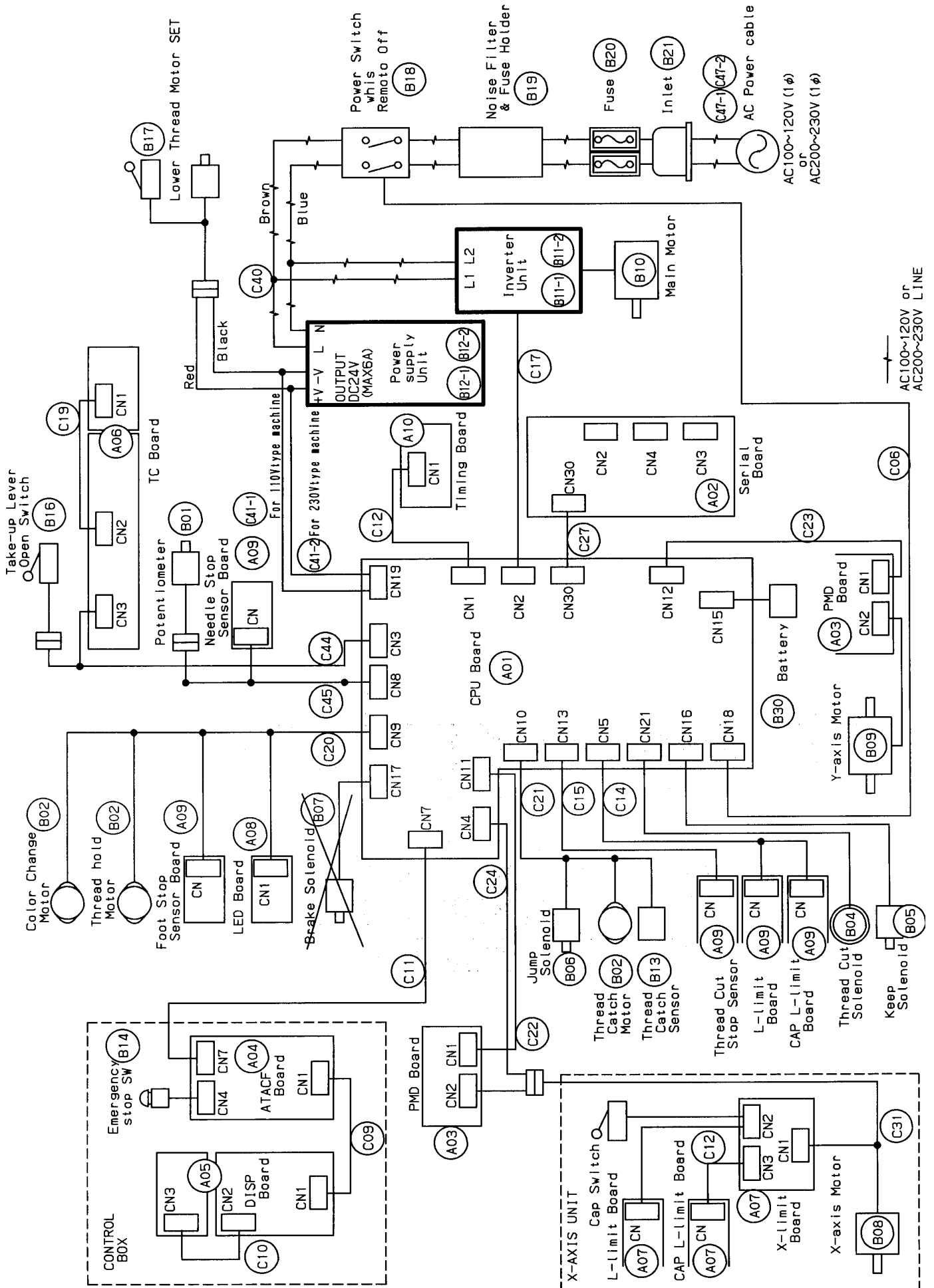
17a-1

Ass'y	El't	Parts No.	Parts Names	Note
	1	HCB60014	Winder bracket ass'y	
	2	HCB79342	Motor ass'y	
	3	HCB60200	Spacer	
	4	HCB60052	Shaft	
	5	HCB60060	Spring	
	6	HCB60160	Lever ass'y	
	7	HCB60191	Guide	
	8	HCB60210	Cushion	
	9	HCB60102	Thread tension ass'y	
	10	HCB60221	Shaft	
	11	HCB60230	Bobbin thread guide ass'y	
	12	SPDB04010	Pan head screw (cross recessed, M4x10)	
	13	SPAC02010	Pan head screw (cross recessed, M2x10)	
	14	SCAA04012	Hexagon socket head cap screw (M4x12)	
	15	NHAD04000	Hexagon nut (M4)	
	16	SPAC02006	Pan head screw (cross recessed, M2x6)	
	17	WPAC02000	Plain washer (M2)	
	18	MPR00080	E-ring (E-5)	
	19	SCAA03015	Hexagon socket head cap screw (M3x15)	

ELECTRICAL CONNECTION DIAGRAM

CSG601

18a-1



ELECTRICAL CONNECTION DIAGRAM

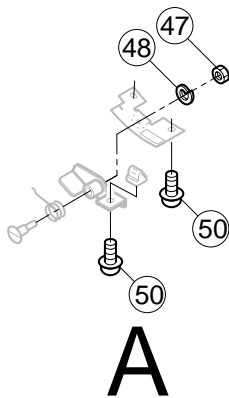
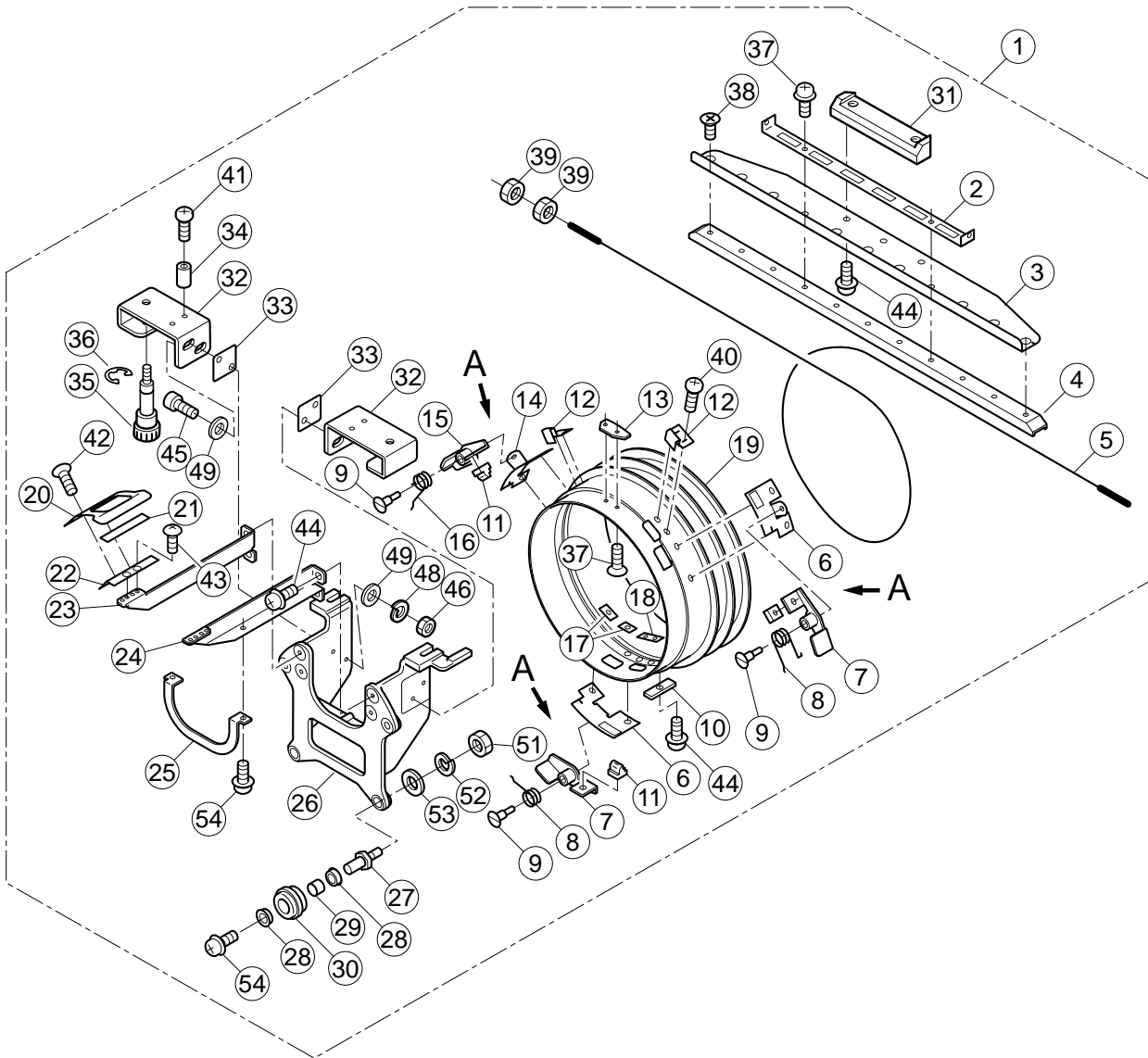
CSG601

18a-1

Parts Names	Parts No.	(B01) Potentiometer	ESHCB7940*	(B14) Emergency stop SW	ESHCB7943*	(C17) INVERTER cable	ESHCB7017*
(A01) CPU Board	ESHCB8101*	(B02) Thread hold Motor	ESEPM0048* 42S1A24D5B (MATSUSITA)	(B16) Take-up Lever Open Switch	ESHCB7936*	(C45) Needle bar change cable	ESHCB7045*
(A02) Serial Board	ESHCB8107*	(B02) Color Change Motor	ESEPM0048* 42S1A24D5B (MATSUSITA)	(B17) Lower Thread Motor SET	ESHCB7934*	(C19) TC connecting cable	ESHCB7019*
(A03) PMD Board	ESHCB8104*	(B02) Thread Catch Motor	ESEPM0048* 42S1A24D5B (MATSUSITA)	(B18) whis Remota Off	ESEPM0089* AJBR2014BBC (MATSUSITA)	(C20) Pulse motor cable	ESHCB7020*
(A04) ATACF Board	ESHCB8103*	(B04) Thread Cut Solenoid	ESHCB7910*	(B19) Noise Filter & Fuse Holder	ESHCB7946*	(C21) Jump solenoid cable	ESHCB7021*
(A05) DISP Board	ESHCB8102*	(B05) Keep Solenoid	ESHCB7905*	(B20) Fuse	ESEPF0036* 3SB6A (BeI) 250V 6A	(C22) XPulse motor cable	ESHCB7022*
(A06) TC Board	ESHCB8105*	(B06) Jump Solenoid	ESHCB0850*	(B21) Inlet	ESHCB7944*	(C23) YPulse motor cable	ESHCB7023*
(A07) X-limit Board	ESHCB8110*	(B07) Brake Solenoid ESHCB7915*		(B30) Battery	ESEPZ0054*	(C24) XLimit switch relay cable	ESHCB7024*
(A07) L-limit Board	↑	(B08) X-axis Motor	ESHCB7920*	(C06) PD cable	ESHCB7006*	(C27) Serial relay cable	ESHCB7027*
(A07) CAP L-limit Board	↑	(B09) Y-axis Motor	ESHCB7921*	(C09) DISP-SW cable	ESHCB7009*	(C31) XPulse motor relay cable	ESHCB7031*
(A08) LED Board	ESHCB8112*	(B10) Main Motor	ESHCB7931* OR ESHCB7930* 3φ 90W	(C10) DISP-ATA cable	ESHCB7010*	(C40) Power relay cable	ESHCB7040*
(A09) Foot Stop Sensor Board	ESHCB8111*	(B11-1) Input110V type Inverter Unit	ESEPM0053* FR-S510W-0.2K-R-* or FR-S510WE-0.2K-* (MITSUBISHI)	(C11) DISP cable	ESHCB7011*	(C41-1) Power cable with the fuse (24V) or (C41-2) Power cable (24V)	ESHCB7942* for 110V type machine ESHCB7041* for 230V type machine
(A09) Needle Stop Sensor Board	↑	(B11-2) Input220V type Inverter Unit	ESEPM0050* VFNC1S-1004P (TOSHIBA)	(C12) XL cable	ESHCB7012*	(C47-1) AC Power cable (110V) or (C47-2) AC Power cable (220V)	ESEPE0005*
(A09) Thread Cut Stop Sensor	↑	(B12-1) Input110V type Power supply	ESHCB7925* DC24V MAX6A OUTPUT	(C14) YF cable	ESHCB7014*		ESHCB7030* ESHCB7927* ESHCB7928*
(A09) L-limit Board	↑	(B12-2) Input220V type Power supply	ESHCB7926* DC24V MAX6A OUTPUT	(C15) ORG cable	ESHCB7015*	(C45) TC cable	ESHCB7044*
(A09) CAP L-limit Board	↑	(B13) Thread Catch Sensor	ESEPP0052* GP1A73A (SHARP)	(C16) Timing cable	ESHCB7016*		
(A10) Timing Board	ESHCB8109*						

*mark is a revision number

Product varies in a power supply to use



CAP FRAME (DRIVE FRAME)

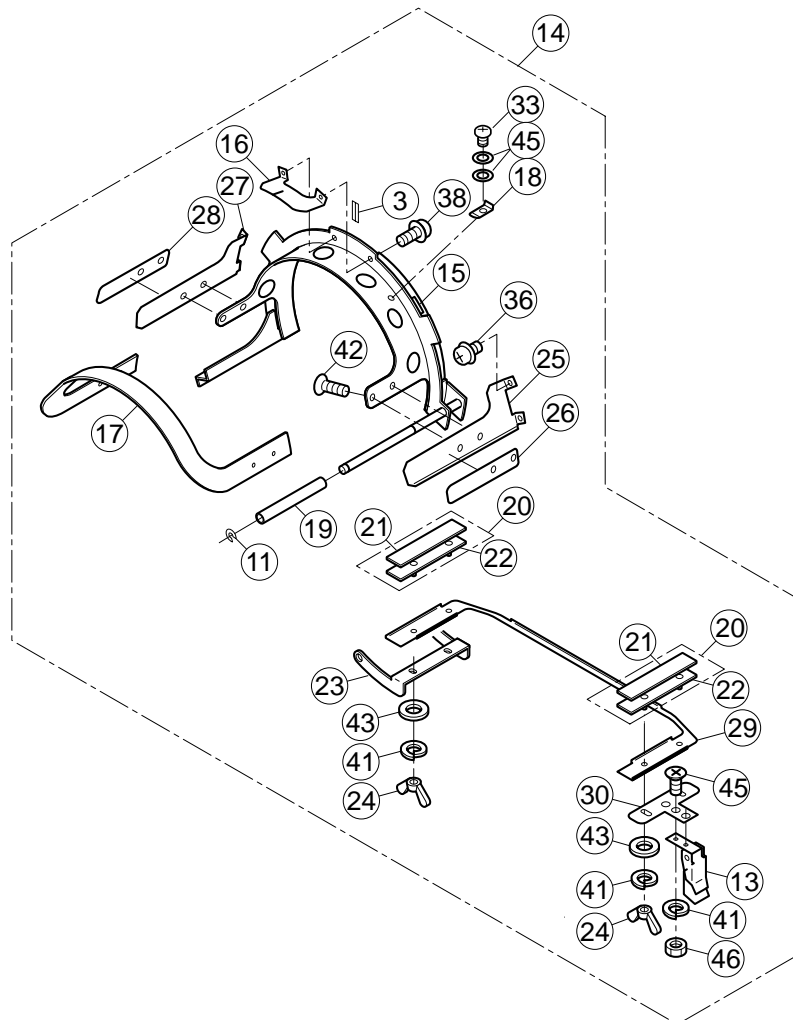
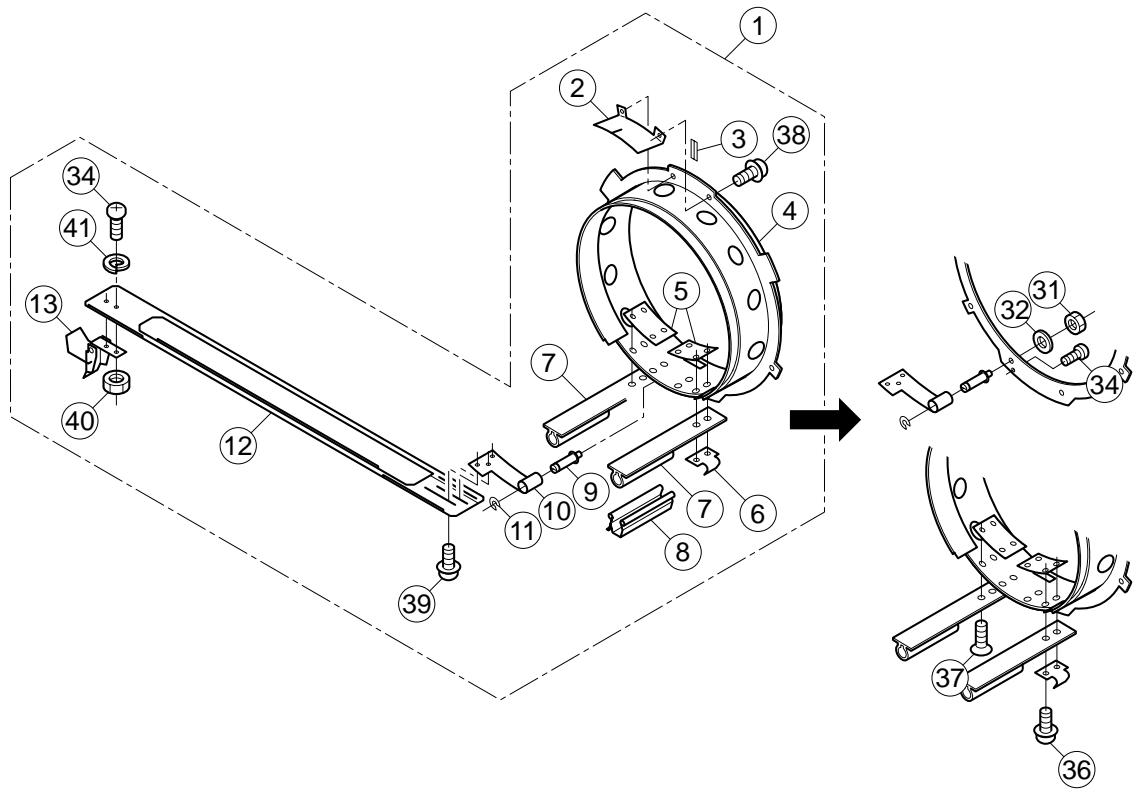
CSF128

19a-1

Ass'y	El't	Parts No.	Parts Names	Note
	1	HCB43002	HCS Drive frame ass'y	
	2	FRA43790	Wire fixing plate	
	3	HCB43023	Rail bracket	
	4	FRA43820	Rail	
	5	FRA43780	Wire	
	6	FRA43591	Lever bracket (right)	
	7	FRA43560	Hold lever ass'y (right)	
	8	FRA43620	Torsion coil spring (right)	
	9	FRA43611	Support pin	
	10	FRA43800	Wire keeper	
	11	FRA43601	Lock pin	
	12	FRA43550	Spring	
	13	FRA43542	Center guide	
	14	FRA43650	Lever bracket (left)	
	15	FRA43630	Hold lever ass'y (left)	
	16	FRA43660	Torsion coil spring (left)	
	17	FRA43670	Plate nut (M4)	
	18	FRA43680	Plate nut (M3)	
	19	FRA43843	rotary cylinder	
	20	FRA45020	Guide	
	21	FRA43740	Protect sheet	
	22	FRA45050	Guide bracket	
	23	FRA45040	Guide support (left)	
	24	FRA45030	Guide support (right)	
	25	FRA43690	Reinforcement plate	
	26	HCB43015	Base ass'y	
	27	FRA43531	Guide roller pin	
	28	FRA43520	Bearing	
	29	FRA43750	Guide roller spacer	
	30	FRA43512	Guide roller	
	31	HCB40130	Bracket	
	32	HCB43130	Base fixing bracket	
	33	HCB43230	Spacer	
	34	MPZ00360	Spacer C310	
	35	HCB43141	Knob bolt	
	36	MPR00470	E-ring (E-6)	
	37	SPDD04012	Pan head screw (cross recessed, M4x12)	
	38	SGAD04008	Flat head screw (cross recessed head, M4x8)	
	39	NHAD03000	Hexagon nut (M3)	
	40	SPAD03005	Pan head screw (cross recessed, M3x5)	
	41	SPAD03012	Pan head screw (cross recessed, M3x12)	
	42	SGAD03004	Flat head screw (cross recessed head, M3x4)	
	43	STAD03004	Truss head screw (cross recessed, M3x4)	
	44	SPDD04010	Pan head screw (cross recessed, M4x10)	
	45	SCAD04010	Hexagon socket head cap screw (M4x10)	
	46	NHAD04000	Hexagon nut (M4)	
	47	NHCD04000	Hexagon nut (M4)	
	48	WSAD04000	Spring lock washer (M4)	
	49	WPAD04000	Plain washer (M4)	
	50	SPDD04008	Pan head screw (cross recessed, M4x8)	
	51	NHAD05000	Hexagon nut (M5)	
	52	WSAD05000	Spring lock washer (M5)	
	53	WPAD05000	Plain washer (M5)	
	54	SPDD04006	Pan head screw (cross recessed, M4x6)	

CAP FRAME (HOLD FRAME)

CGBF128 19b-1

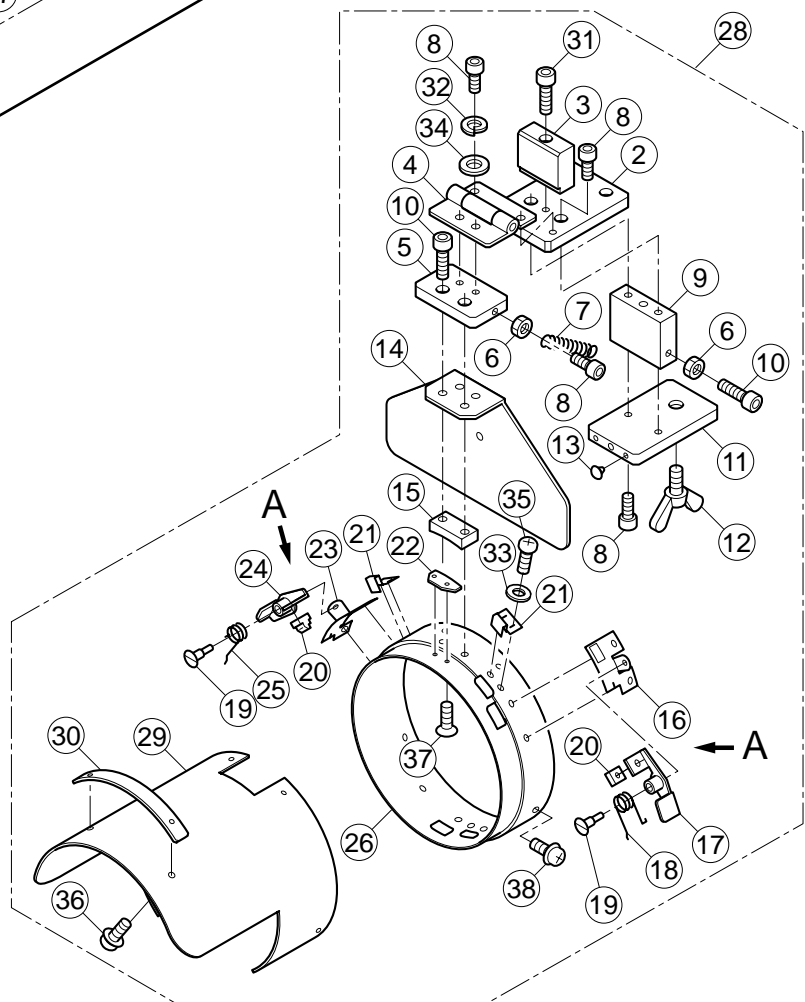
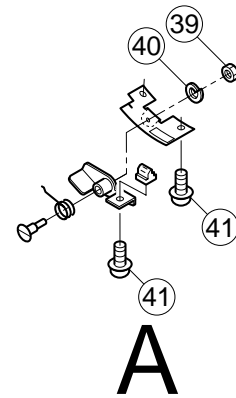
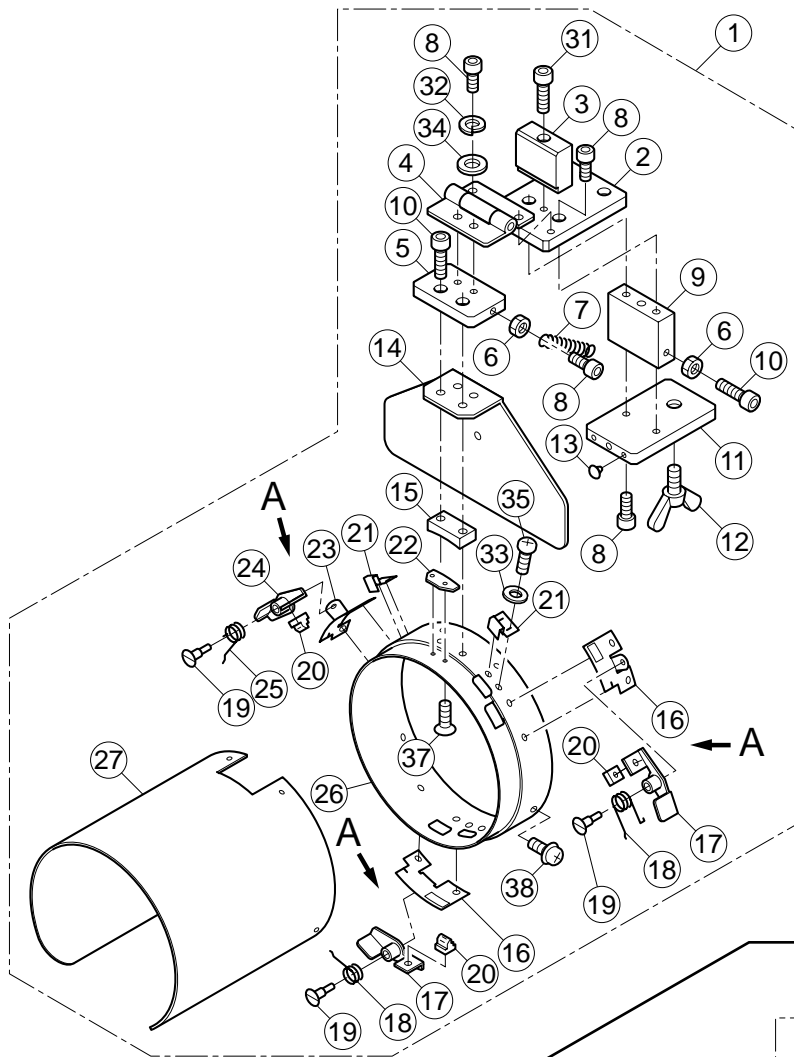


CAP FRAME (HOLD FRAME)

CSF128

19b-1

Ass'y	El't	Parts No.	Parts Names	Note
	1	FRA44001	Cap hold frame ass'y (wide type)	
	2	FRA44210	Position braket	
	3	FRA44180	Cap marker	
	4	FRA44102	Cap hold frame (wide type)	
	5	FRA44050	Cap holder bracket	
	6	FRA44031	Hook	
	7	FRA44201	Cap holder A	
	8	FRA44090	Clip	
	9	FRA44013	Guide pin	
	10	FRA44022	Grip bracket	
	11	FRA44170	E-ring	
	12	FRA44042	Cap grip	
	13	FRA44160	Latch	
	14	FRA46502	Cap hold frame ass'y (low profile type)	
	15	FRA46025	Cap hold frame (low profile type)	
	16	FRA44240	Position braket	
	17	FRA46550	Clamp C	
	18	FRA46620	Spring clip	
	19	FRA46141	Spacer	
	20	FRA46610	Side holder ass'y	
	21	FRA46630	Side holder cushion	
	22	FRA46182	Side holder	
	23	FRA46082	Bracket	
	24	NWBB03000	Wing nut (M3)	
	25	FRA46520	Side support (right)	
	26	FRA46561	Side support ruber (right)	
	27	FRA46530	Side support (left)	
	28	FRA46571	Side support ruber (left)	
	29	FRA46212	Clamp B	
	30	FRA46151	Latch bracket	
	31	NHAD04000	Hexagon nut (M4)	
	32	WPAD04000	Plain washer (M4)	
	33	SPAD03003	Pan head screw (cross recessed, M3x3)	
	34	SPAD03005	Pan head screw (cross recessed, M3x5)	
	35	SPDD04005	Pan head screw (cross recessed, M4x5)	
	36	SPDD04012	Pan head screw (cross recessed, M4x12)	
	37	SGAD04008	Flat head screw (cross recessed head, M4x8)	
	38	SPDD03005	Pan head screw (cross recessed, M3x5)	
	39	SPDD03004	Pan head screw (cross recessed, M3x4)	
	40	NHAD03000	Hexagon nut (M3)	
	41	WSAD03000	Spring lock washer (M3)	
	42	SGAD03004	Flat head screw (cross recessed head, M3x4)	
	43	WPAD03000	Plain washer (M3)	
	44	WPBD03000	Plain washer (M3)	
	45	SGAD03006	Flat head screw (cross recessed head, M3x6)	
	46	NHCD03000	Hexagon nut (M3)	



CAP FRAME (CAP STRETCHER)

CSF128

19c-1

Ass'y	El't	Parts No.	Parts Names	Note
	1	FRA44502	Cap stretcher (wide type)	
	2	FRA44600	Base E	
	3	FRA44610	Stopper A	
	4	FRA44580	Hinge	
	5	FRA44590	Base D	
	6	NHAD05000	Hexagon nut (M5)	
	7	FRA44620	Tension coil spring	
	8	SCAD05012	Hexagon socket head cap screw (M5x12)	
	9	FRA44561	Base B	
	10	SCAD05020	Hexagon socket head cap screw (M5x20)	
	11	FRA44571	Base C	
	12	SWAB10020	Wing bolt (M10x20)	
	13	FRA44630	Cushion	
	14	FRA44531	Back plate	
	15	FRA44541	R block	
	16	FRA43591	Lever bracket (right)	
	17	FRA43560	Hold lever ass'y (right)	
	18	FRA43620	Torsion coil spring (right)	
	19	FRA43611	Support pin	
	20	FRA43601	Lock pin	
	21	FRA43550	Spring	
	22	FRA43542	Center guide	
	23	FRA43651	Lever bracket (left)	
	24	FRA43630	Hold lever ass'y (left)	
	25	FRA43660	Torsion coil spring (left)	
	26	FRA44511	Cylinder	
	27	FRA44521	Stretch plate (wide type)	
	28	FRA46350	Cap stretcher (low profile type)	
	29	FRA46330	Stretch plate (low profile type)	
	30	FRA46320	Block	
	31	SCAD05035	Hexagon socket head cap screw (M5x35)	
	32	WSAD05000	Spring lock washer (M5)	
	33	WPAD03000	Plain washer (M3)	
	34	WPAD05000	Plain washer (M5)	
	35	SPAD03005	Pan head screw (cross recessed, M3x5)	
	36	SPDD03005	Pan head screw (cross recessed, M3x5)	
	37	SGAD03005	Flat head screw (cross recessed head, M3x5)	
	38	SPDD04010	Pan head screw (cross recessed, M4x10)	
	39	NHCD04000	Hexagon nut (M4)	
	40	WSAD04000	Spring lock washer (M4)	
	41	SPDD04008	Pan head screw (cross recessed, M4x8)	
	42	SGAD03004	Flat head screw (cross recessed head, M3x4)	
	43	WPAD03000	Plain washer (M3)	
	44	WPBD03000	Plain washer (M3)	
	45	SGAD03006	Flat head screw (cross recessed head, M3x6)	
	46	NHCD03000	Hexagon nut (M3)	



HAPPY Industrial Corporation

HEAD OFFICE 5-9-16, Miyamachi, Yamagata-city 990-0057, Japan
Phone: 023-623-7111 FAX: 023-623-2654

TOKYO OFFICE 2-9-5, Taito, Taito-Ku, Tokyo 110-0016, Japan
Phone: 03-3834-0711 Telex: 265-5482
FAX: 03-3835-8917 Cable: HAPPYSEW TOKYO

HAPPY INDUSTRIAL GmbH Am Kummerling, 10-12
6501 Bodenheim am Rhein
Germany
Phone: 06135-8101 FAX. 0211-161630

Model	HCS-1201-30
Machine No.	